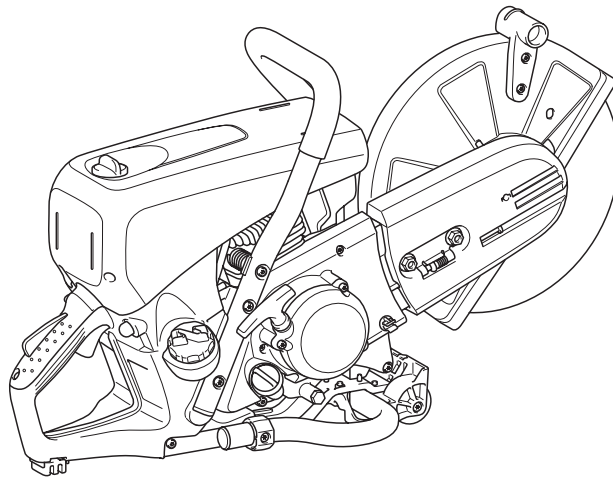




Owner's and Safety Manual for Power Cutter

Manuel d'emploi et de sécurité de la Découpeuse Thermique

Manual de empleo y de seguridad para el Cortador



EK7650H
EK7651H
EK7651HD

Important:

Read this instruction manual carefully before putting the Power Cutter into operation and strictly observe the safety regulations!
Keep this instruction manual!

Important :

Lisez attentivement les instructions du présent manuel avant de vous servir de la découpeuse thermique pour la première fois, et respectez à la lettre les consignes de sécurité!
Conservez le présent manuel d'instructions en lieu sûr!

Importante:

Lea esta manual de instrucciones con atención antes de utilizar el cortador y ¡observe estrictamente las regulaciones de seguridad!
¡Conserve este manual de instrucciones!

Thank you for purchasing a MAKITA product!

Congratulations on choosing a MAKITA Power Cutter! We are confident that you will be satisfied with this modern piece of equipment.

We want you to be satisfied with your MAKITA product. In order to guarantee the optimal function and performance of your Power Cutter and to ensure your personal safety we would request you to perform the following:

Read this instruction manual carefully before putting the Power Cutter into operation for the first time, and strictly observe the safety regulations! Failure to observe these precautions can lead to severe injury or death!



Table of Contents	Page
Packing	2
Delivery inventory	3
Symbols	3
SAFETY PRECAUTIONS	4
General precautions.....	4
Protective equipment	4
Fuels / Refuelling	5
Putting into operation	5
Cutoff discs	6
Kickback and lock-in	7
Working behavior / Method of working	7
Cutting metals	8
Cutting masonry and concrete	8
Transport and storage.....	9
Maintenance.....	10
First aid	10
Technical data	11
Denomination of components	12
PUTTING INTO OPERATION	13
Mounting the cutting disc	13
Tightening the V-belt / Checking V-belt tension	14
Before operating.....	14
Operating	16
Starting.....	16
Adjusting the carburetor	17
MAINTENANCE	17
V-belt	18
Cleaning the protection hood	18
Cleaning/changing the air filter.....	19
Spark plug maintenance	20
Replacing the suction head.....	20
Cleaning the starter.....	21
Changing the cutting attachment position (central/side)	22
SPECIAL ACCESSORIES	23
Diamond cutting discs.....	23
Guide cart.....	23
Water tank (the component of cart).....	23
Mains/pressure water system	23
Maintenance chart	24
Fault location	25
Troubleshooting	26
Storage	27

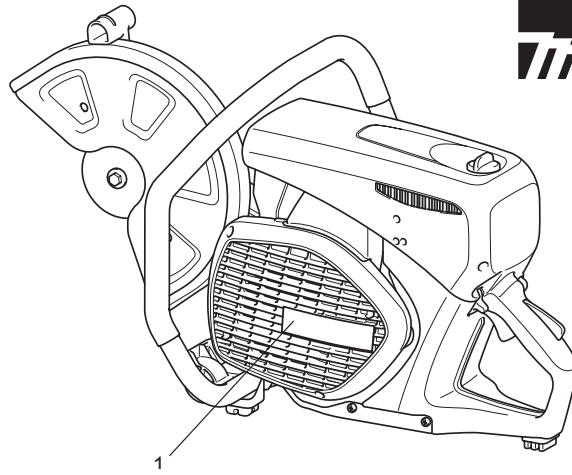
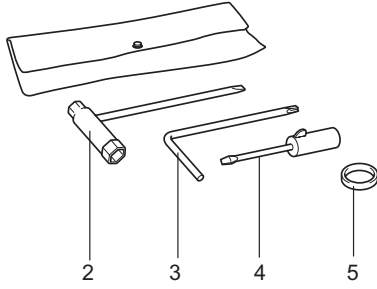
Packing

Your MAKITA Power Cutter is packed in a cardboard box to prevent shipping damage.

Cardboard is a basic raw material and is consequently reuseable or suitable for recycling (waste paper recycling).



Delivery inventory



1. Power Cutter
2. 13/19 AF combination wrench
3. Star-shaped wrench
4. Carburetor adjustment screwdriver
5. Adapter ring (Tools for some countries may not require this ring.)
6. Instruction manual (not shown)

In case one of the parts listed should not be included in the delivery inventory, please consult your sales agent.

Symbols

You will notice the following symbols on the saw and in the Instruction Manual:

	Read instruction manual and follow the warning and safety precautions!		Cutting disc dimensions
	Particular care and caution!		Never use carbide tipped, circular saw blades or any kind of wood cutting blades!
	Forbidden!		Never use damaged cutting discs!
	Wear protective helmet, eye and ear protection, and respiratory protection!		Engine-Manual start
	Wear protective gloves!		Stop engine!
	No smoking!		Warning! Kickback!
	No open fire!		Fuel (Gasoline)
	Direction of cutting wheel rotation		First Aid
	⚠ WARNING: the max. peripheral speed of the cutting disc is 80 m/s!		Recycling

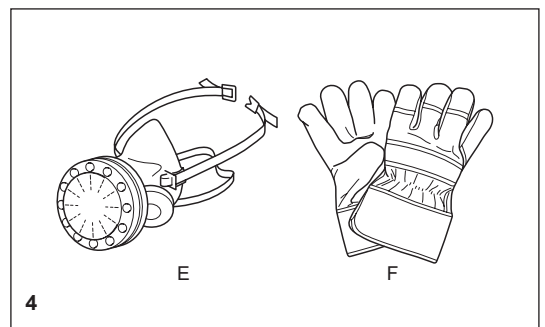
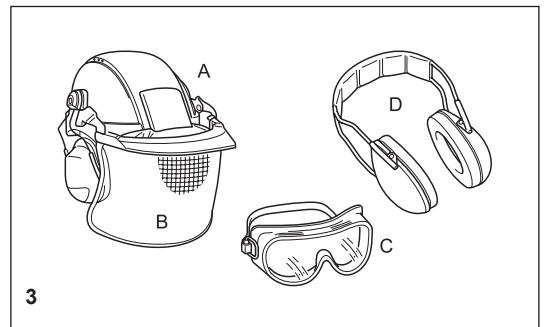
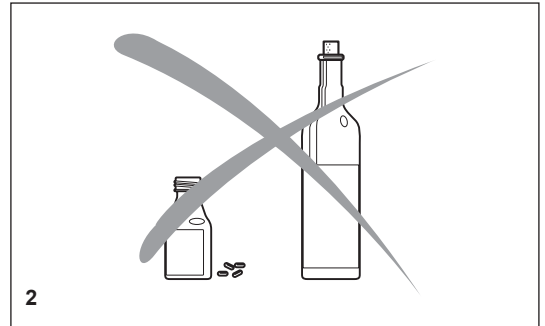
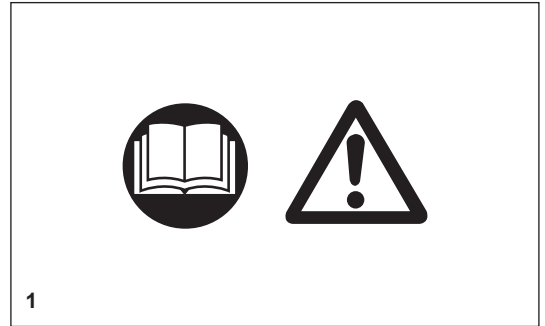
SAFETY PRECAUTIONS

General precautions

- The operator **MUST** read this instruction manual to ensure safe operation (even if you already have experience in using cutoff saws). It is important to be familiar with the operation of this particular cutoff saw. Users insufficiently informed will endanger themselves as well as others due to improper handling.
- Let only persons who have experience in using cutoff saws work with this unit. When letting another person use the Power Cutter, this instruction manual must be provided along with it.
- First-time operators should ask a specialist to instruct them in working with gasoline-powered cutoff saws.
- Children and persons under 18 years of age must not be allowed to use this Power Cutter. Persons over the age of 16 years may, however, use the Power Cutter for the purpose of being trained as long as they are under the supervision of a qualified trainer.
- Working with the Power Cutter requires high concentration.
- Operate the Power Cutter only if you are in good physical condition. If you are tired, your attention will be reduced. Be especially careful at the end of a working day. Perform all work calmly and carefully. The user has to accept liability for others.
- Never work while under the influence of alcohol, drugs, medication or other substances which may impair vision, dexterity or judgement.
- A fire extinguisher must be available in the immediate vicinity.
- Asbestos and other materials that can release toxins may be cut only with the necessary safety precautions and after notification of the proper authorities and under their supervision or that of a person appointed by them.

Protective equipment

- In order to avoid head, eye, hand or foot injuries as well as to protect your hearing the following protective equipment must be used during operation of the Power Cutter:
When using personal protective equipment, ensure compliance with ANSI Z87.1!
- The kind of clothing should be appropriate, i. e. it should be tight-fitting but not be a hindrance. Clothing in which grains of material can accumulate (trousers with cuffs, jackets and trousers with wide-open pockets, etc.) must not be worn, particularly when cutting metal.
- Do not wear any jewellery or clothing that can get caught or distract from the operation of the Power Cutter.
- It is necessary to wear a protective helmet whenever working with the Power Cutter. The **protective helmet (A)** is to be checked in regular intervals for damage and is to be replaced after 5 years at the latest. Use only approved protective helmets.
- The helmet **visor (B)** protects the face from dust and material grains. In order to prevent injuries to eyes and face, always wear **protective goggles (C)** or visor when using the Power Cutter.
- To prevent hearing damage, always wear suitable personal **hearing protection** (ear muffs (D), ear plugs, etc.). Octave brand analysis upon request.
- When dry-cutting dust-producing materials such as stone or concrete, always wear approved **respiratory protection (E)**.
- **Work gloves (F)** of tough leather are part of the required work kit of the Power Cutter and must always be worn when working with the Power Cutter.



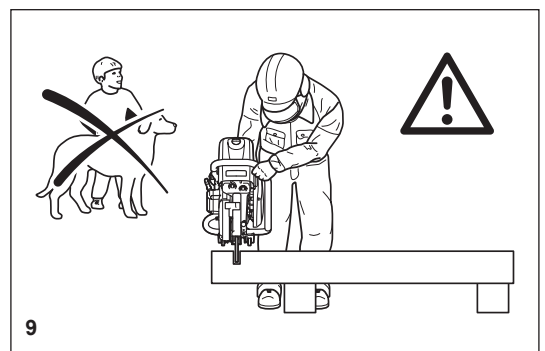
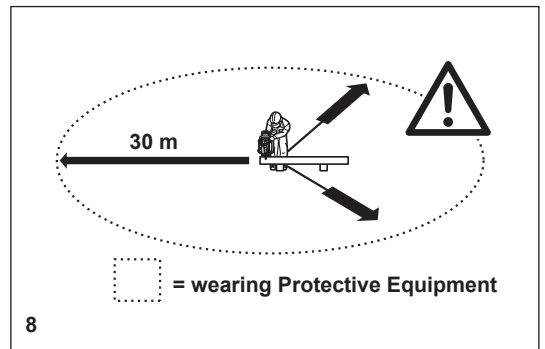
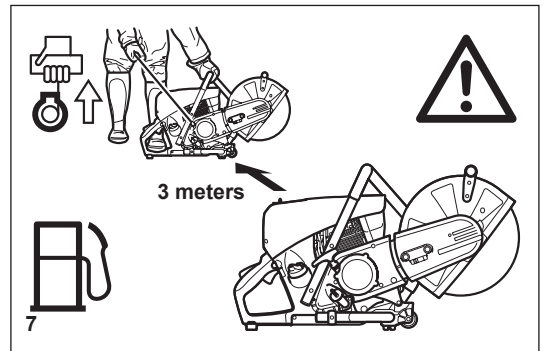
- Always wear **safety shoes or boots** (G) with steel toes, non-skid soles, and leg protectors when working with the Power Cutter. Safety shoes equipped with a protective layer provide protection against cuts and ensure a secure footing.
- Always wear a **work suit** (H) of sturdy material.

Fuels / Refuelling

- Go to a safe, level place before refuelling. **Never refuel while on scaffolding, on heaps of material, or in similar places!**
- Switch off the engine before refuelling the Power Cutter.
- Do not smoke or work near open fires (6).
- Let the engine cool down before refuelling.
- Fuels can contain substances similar to solvents. Eyes and skin should not come in contact with mineral oil products. Always wear protective gloves when refuelling (not the regular work gloves!). Frequently clean and change protective clothes. Do not breathe in fuel vapors. Inhalation of fuel vapours can be hazardous to your health.
- Do not spill fuel. If a spill occurs, clean off the Power Cutter immediately. Fuel should not come in contact with clothes. If your clothes have come in contact with fuel, change them at once.
- Ensure that no fuel oozes into the soil (environmental protection). Use an appropriate base.
- Refuelling is not allowed in closed rooms. Fuel vapors will accumulate near the floor (explosion hazard).
- Ensure to firmly tighten the screw cap of the fuel tank.
- Before starting the engine, move to a location at least 3 meters (approx. 3 1/4 yards) from where you fuelled the Power Cutter (7), but not within the extended swing range of the cutting disc (direction of sparks).
- Fuel cannot be stored for an unlimited period of time. Buy only as much as will be consumed in the near future.
- Use only approved and marked containers for the transport and storage of fuel.
- **Keep fuel away from children!**

Putting into operation

- **Do not work on your own. There must be someone around in case of an emergency (within shouting distance).**
- Observe all anti-noise regulations when working in residential areas.
- **Never use the Power Cutter near inflammable materials or explosive gases! The Power Cutter can create sparks leading to fire or explosion!**
- Make sure that all persons within 30 meters (33 yards), such as other workers, are wearing protective gear (see "Protective equipment") (8). Children and other unauthorized persons must remain more than 30 meters away from the working area. Keep an eye out for animals as well (9).
- **Before starting work the Power Cutter must be checked for perfect function and operating safety according to the prescriptions.**
In particular, make sure that the cutting wheel is in good condition (replace immediately if torn, damaged or bent), the cutting wheel is properly mounted, the protection hood is locked in place, the hand guard is properly mounted, the V-belt has the proper tension, the throttle moves easily and the grips are clean and dry, and the combination switch functions properly.
- Start the Power Cutter only after complete assembly and inspection. Never use the Power Cutter when it is not completely assembled.



Cutoff discs

- The protection hood must always be on! Change discs only with the engine off!
- There are two basic types of cutoff discs:
 - For metal (hot cutting)
 - For masonry (cold cutting)

⚠ WARNING:

Never use carbide tipped, circular saw blades or any kind of wood cutting blades. Never cut any type of wood. Reactive forces can cause severe personal injury from blade contact or thrown tips.

NOTE:

When using diamond cutoff discs, always make sure to observe the "direction of rotation" markings. Diamond discs should only be used for cutting masonry/brick/concrete etc.

- Cutoff discs are intended only for radial loading, i.e. for cutting. Do not grind with the sides of the cutting disc! This will break the disc (10)!

⚠ CAUTION:

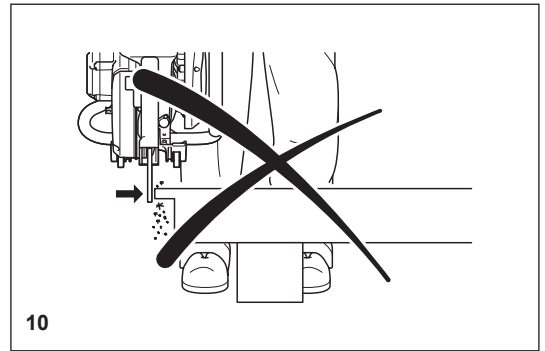
Never change direction (turning radius less than 5 meters / 5 1/2 yards), exert lateral (sideways) pressure, or tip the Power Cutter during cutting (11)!

- Use a cutting disc only for cutting the materials it is intended for. The proper type of disc must be used, for either metals or masonry.
- The arbour hole (bore) of the cutting disc must fit the shaft exactly. If the arbour hole is larger than the shaft diameter, a spacer ring must be used (accessories).
- Use only cutting wheels approved by the DSA (German Abrasive Disc Committee) or equivalent organisation for freehand cutting at up to 4,370 RPM (= 80 m/sec. at circumference) for 14"/355 mm discs, or up to 5,100 RPM (= 80 m/sec. at circumference) for 12"/300 mm discs.
- The disc must be free of defects (12). Do not use defective cutting discs.

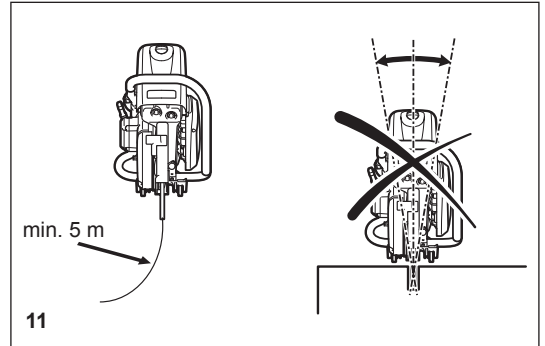
Always tighten the cutting disc mounting bolt to a torque of 30 Nm.

Otherwise, the cutting disc can twist.

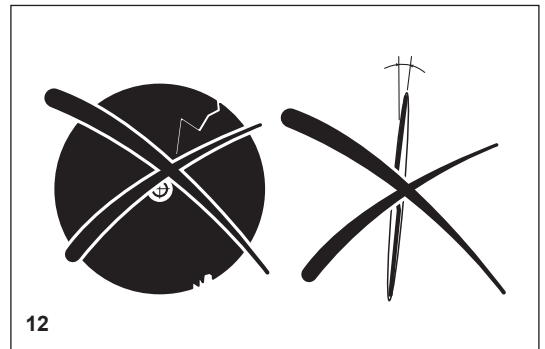
- Before starting the cutting disc, make sure you have a steady footing.
- Put the Power Cutter into operation only as described in this instruction manual (13). Always place your left foot in the rear handle and grasp the other handle firmly (with thumb and fingers). Other starting methods are not allowed.
- When starting the Power Cutter it must be well supported and securely held. The cutting disc must not be touching anything.
- If the cutting disc is new, test it by running it at least 60 seconds at top speed. When doing this, make sure that no persons or body parts are in the extended swing range of the disc, in case it is defective and flies apart.
- **When working with the Power Cutter always hold it with both hands.** Take the back handle with the right hand and the tubular handle with the left hand. Hold the handles tightly with your thumbs facing your fingers.
- **CAUTION: When you release the throttle lever the disc will keep spinning for a short period of time** (free-wheeling effect).
- Continuously ensure that you have a safe footing.
- Hold the Power Cutter such that you will not breathe in the exhaust gas. Do not work in closed rooms or in deep holes or ditches (danger of poisoning by fumes).
- **Switch off the Power Cutter immediately if you observe any changes in its operating behavior.**
- **Switch off the engine before inspecting the V-belt tension or tightening it, replacing the cutting wheel, repositioning the cutter attachment** (side or middle position) **or eliminating faults** (14).
- Turn off the engine immediately and check the disc if you hear or feel any change in cutting behaviour.
- Turn off the Power Cutter when taking a break or stopping work (14). Place the unit in such a way that the disc is not touching anything and cannot endanger anyone.
- Do not put the overheated Power Cutter in dry grass or on any inflammable objects. The muffler is very hot (danger of fire).
- **IMPORTANT:** After wet cutting, first turn off the water feed and then let the disc run at least 30 seconds, to fling off the remaining water and prevent corrosion.



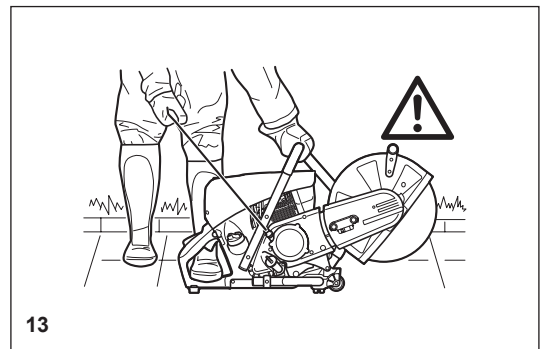
10



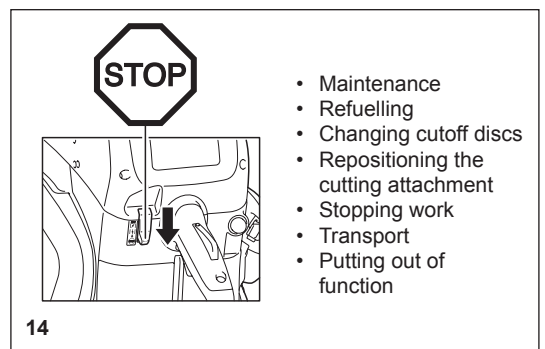
11



12



13



14

Kickback, lock-in and gyroscopic forces

- When working with the Power Cutter there is a danger of kickback and lock-in.
- Kickback occurs when the top of the cutting disc is used for cutting (15).
- This causes the Power Cutter to be thrown back toward the user with great force and out of control. **Risk of injury!**

To prevent kickback, observe the following:

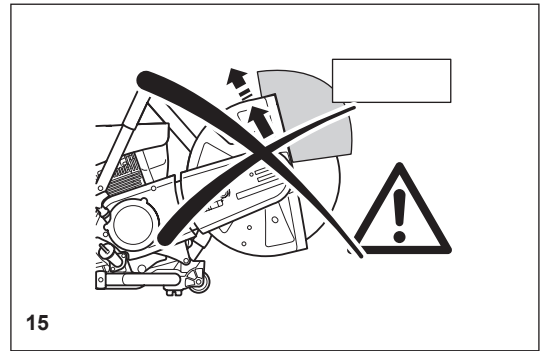
- Never cut with the section of the cutting disc shown in figure 15.
- Be especially careful when reinserting the disc into cuts that have already been started!**

- Lock-in occurs when the cut narrows (crack, or workpiece under stress).
- This causes the Power Cutter to suddenly jump forward, out of control and with great force. **Risk of injury!**

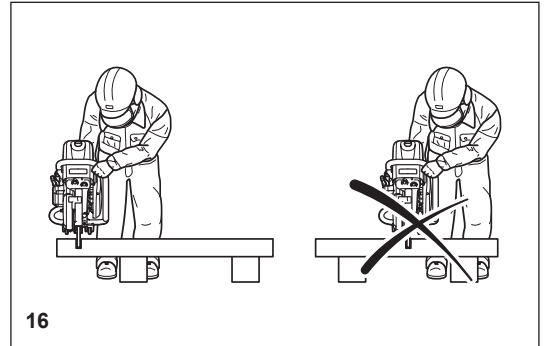
To prevent lock-in, observe the following:

- When reinserting the disc into previous cuts, have the Power Cutter running at top speed. Always cut at top speed.
- Always support the workpiece so that the cut is under tension (16), so that the cut does not press together and jam the cutting disc as it proceeds through the material.
- When starting a cut, apply the disc to the workpiece with care. Do not just shove it into the material.
- Never cut more than one piece at a time! When cutting, make sure that no other workpiece comes into contact.
- Gyroscopic forces come into play when handling a power cutter with a rapidly rotating composite wheel.
- The power cut will react in an uncontrolled manner. There is a danger that injuries may occur.

**In order to prevent gyroscopic forces developing, please note the following:
Do not rotate the machine rapidly about its longitudinal axis!**



15



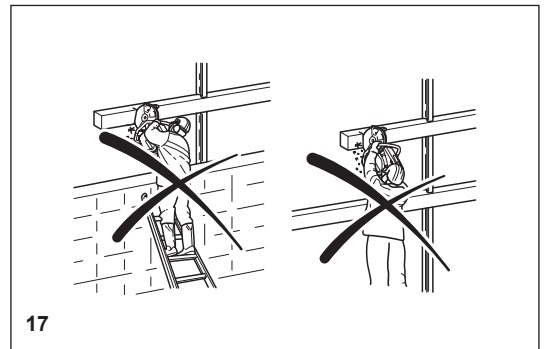
16

Working behavior / Method of working

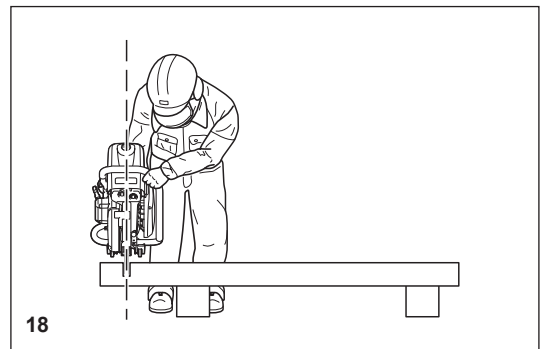
- Check the integrity of the composite wheel both before and after fitting it to the machine.
- Before starting work, check the work area for any hazards (electrical wires, inflammable substances). Clearly mark the work area (for example with warning signs or by cordoning off the area).
- When working with the Power Cutter hold it firmly by the front and rear handles. Never leave the Power Cutter unattended!
- Whenever possible run the Power Cutter at the rated arbour speed (see "Technical data").
- Only use the Power Cutter during good light and visibility periods. Be aware of slippery or wet areas, and of ice and snow (risk of slipping).
- When the cutting disc strikes any unintended object, immediately inspect it for cracks, distortion or unbalance.
- If you find the protection hood is cracked or broken, replace it prior to further use.
- Never work on unstable surfaces. Make sure that there are no obstacles in the working area, risk of stumbling. Always ensure that you have a safe footing.
- Never cut above your shoulder height (17).
- Never stand on a ladder to cut (17).
- Never use the Power Cutter while standing on scaffolding.
- Do not lean over too far when working. When putting down and picking up the Power Cutter, do not bend over from the waist, but instead bend in the knees. Save your back!
- Guide the Power Cutter in such a way that no part of your body is within the extended swing range of the disc (18).
- Use cutting discs only for the materials for which they are designed!
- Do not use the Power Cutter to lift up and shovel away pieces of material and other objects.

Important! Before cutting, remove all foreign objects, such as rocks, gravel, nails etc. from the cutting area. Otherwise, such objects can be flung away by the disc with great speed. **Injury hazard!**

- When cutting workpieces down to length use a firm support. If necessary, secure the workpiece from slipping, but do not steady it with your foot or allow another person to hold it.
- When cutting round items, always secure them against rotation.
- When guiding the Power Cutter by hand, use the side mounting position of the cutter attachment only when actually necessary. Otherwise, always use the central position. This gives the unit a better balance, for reduced operator fatigue.



17



18

Cutting metals

⚠ IMPORTANT!

Always wear approved respiratory protection!

Materials that can release toxic substances may be cut only after notifying the proper authorities and under their supervision or that of a person appointed by them.

⚠ CAUTION:

The rapid rotation of the cutting disc heats metal and melts it at the point of contact. Swing the guard as far down as possible behind the cut (19) in order to direct the stream of sparks forward, away from the operator (fire hazard).

- Determine the direction of cutting, mark the cut and apply the disc to the material at moderate speed, to cut a guide groove before going to top speed and applying more pressure to the Power Cutter.
- Keep the disc straight and vertical. Do not tip it, as this can break it.
- The best way to get a good, clean cut is to pull or move the Power Cutter back and forth. Do not simply press the disc into the material.
- Thick round stock is best cut in stages (20).
- Thin tubing and pipes can be cut with a simple downward cut.
- Cut large-diameter pipes as for round stock. To prevent tipping and for better control, do not let the disc sink too deeply into the material. Instead, always cut shallow around the whole piece.
- Worn discs have a smaller diameter than new discs, so that at the same engine speed they have a lower effective circumferential speed and therefore do not cut as well.
- Cut I-beams and L-bars in steps; see Figure 21.
- Cut bands and plates like pipes: along the wide side with a long cut.
- When cutting material under stress (supported material or material in structures), always make a notch in the thrust (pressure) side, and then cut from the tension side, so that the disc does not lock in. **Secure cutoff material from falling!**

⚠ CAUTION:

If there is a chance that the material is under stress, be prepared for it to kick back. Make sure you can get out of the way if you have to!

Be particularly careful in scrap-metal yards, junkyards, at accident sites, and with haphazard piles of material. Precariously balanced pieces or pieces under stress can act in unpredictable ways, and may slide, jump out, or burst. **Secure cutoff material from falling!** Always exercise extreme caution and use only equipment that is in perfect working order.

Observe the accident-prevention rules and regulations of your employer and/or insurance organization. Comply with all local and national ordinances.

Cutting masonry and concrete

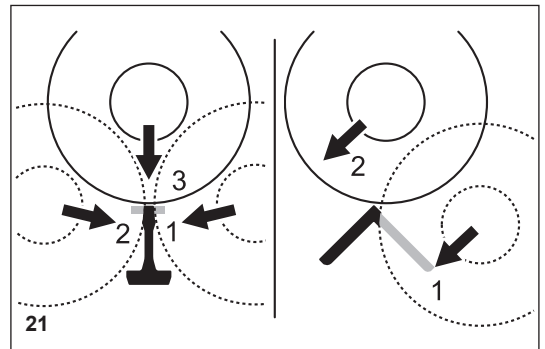
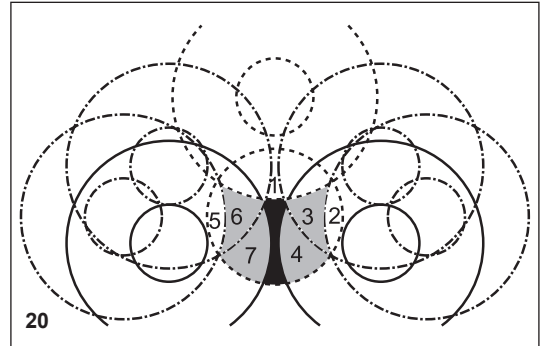
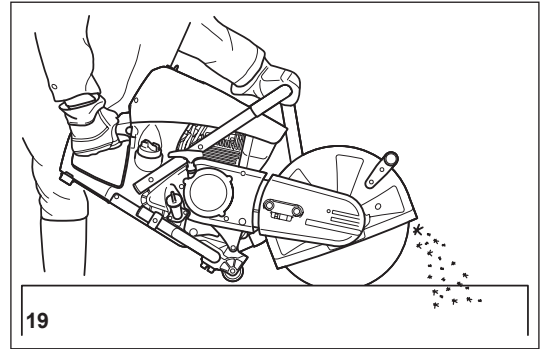
IMPORTANT!

Always wear approved respiratory protection!

Asbestos and other materials that can release toxic substances may be cut only after notifying the proper authorities and under their supervision or that of a person appointed by them. When cutting prestressed and reinforced concrete piles, follow the instructions and standards of the responsible authorities or the builder of the structural member. Reinforcement rods must be cut in the prescribed sequence and in accordance with applicable safety regulations.

NOTE:

Mortar, stone, and concrete develop large quantities of dust during cutting. To increase the lifetime of the cutting disc (by cooling), to improve visibility, and to avoid excessive dust creation, we strongly recommend wet cutting instead of dry cutting.



In wet cutting, the disc is wetted at an equal rate on both sides by a trickle of water. MAKITA offers the right accessories for all wet cutting applications (see also "SPECIAL ACCESSORIES").

- Remove foreign objects such as sand, stones and nails found within the working area. **CAUTION: Watch out for electric wires and cables!**

The rapid rotation of the cutting disc at the point of contact throws fragments out of the cut groove at high speed. For your safety, swing the protection hood down as far as possible behind the cut (23), so that material fragments are thrown forward, away from the operator.

- Mark the cut, and then make a groove about 5 mm (just under 1/5") along the entire length of the planned cut. This groove will then guide the Power Cutter accurately during the actual cutoff.

NOTE:

For long, straight cuts we recommend using a cart (24, see also "SPECIAL ACCESSORIES"). This makes it much easier to guide the unit straight.

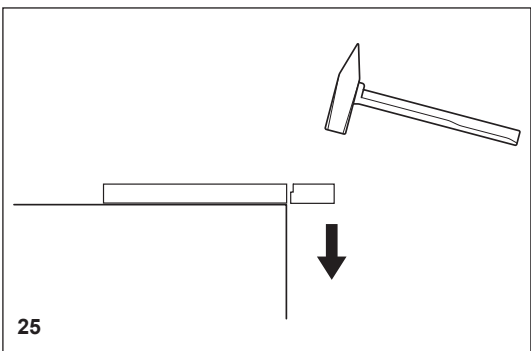
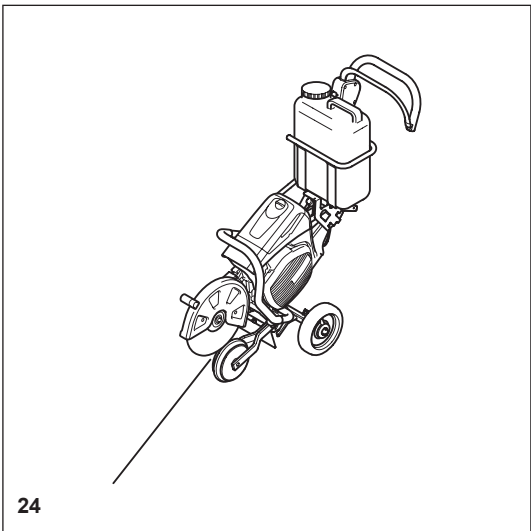
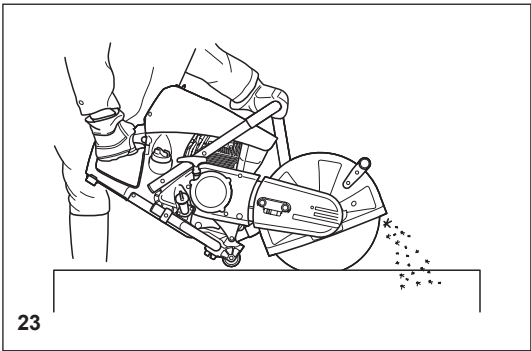
- Perform the cut with a steady back-and-forth motion.
- When cutting slabs to size, you need not cut through the entire material thickness (creating unnecessary dust). Instead, simply make a shallow groove, and then knock off the excess material cleanly on a flat surface (25).

CAREFUL!

When cutting into lengths, cutting through material, making cutouts, etc., always make sure to plan the direction and sequence of cuts in such a way that the disc does not get jammed by the cut-off piece, and that no persons can be injured by falling pieces.

Transport and storage

- **Always turn off the Power Cutter when transporting it or moving it from place to place on a site (26).**
- **Never carry or move the unit with the engine on or the disc moving!**
- Carry the unit only by the tubular (middle) handle with the cutting disc pointing behind you (26). Avoid touching the exhaust muffler (burn hazard!)
- When moving the Power Cutter over longer distances, use a wheelbarrow or wagon.
- When transporting the Power Cutter in a vehicle, make sure it is securely positioned in such a way that no fuel can leak out. Always remove the cutting disc before transporting the unit in a vehicle.
- The Power Cutter should be stored safely in a dry place. It must not be left outdoors! Always dismantle the cutting disc before storage. Keep the Power Cutter away from children.
- **Before long-term storage and before shipping the Power Cutter, follow the instructions in the chapter on "Storage". ALWAYS empty the fuel tank and run the carburetor dry.**
- When putting cutting discs in storage, be careful to:
 - Clean and dry them well.
 - Store them lying down flat.
 - Avoid dampness, freezing temperatures, direct sunshine, high temperatures and temperature fluctuations, as these can cause breakage and splintering.
- **Always check new cutting discs or cutting discs that have been in storage to make sure that they are free of defects.**



Maintenance

- **Before performing maintenance work switch off the Power Cutter (27) and pull out the plug cap.**
- Always check the Power Cutter before using it to make sure that it is in good working order. In particular, make sure that the cutting disc is properly mounted. Make sure that the cutting wheel is undamaged and suitable for the job it will be used for.
- Operate the Power Cutter only at a low noise and emission level. For this ensure the carburetor is adjusted correctly.
- Clean the Power Cutter regularly.
- Check the fuel tank cap regularly for good sealing.

Observe the accident prevention instructions issued by trade associations and insurance companies. NEVER make any modifications to the Power Cutter! You will only be putting your own safety at risk!

Perform only the maintenance and repair works described in the instruction manual. All other work must be carried out by MAKITA Service (28).

Use only original MAKITA spares and accessories.

The use of non-MAKITA spares, accessories, or cutting discs increases the risk of accident. We cannot accept any responsibility for accidents or damage occurring in association with the use of cutting discs or accessories other than original MAKITA.



27



SERVICE

28

First aid (29)

Make sure that a first aid kit is always immediately available close by. Immediately replace any items used from the first aid box.

When calling for help, give the following information:

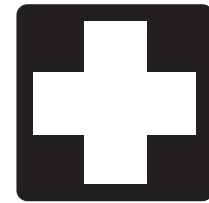
- Place of the accident
- What happened
- Number of injured people
- Kind of injuries
- Your name!

NOTE:

Individuals with poor circulation who are exposed to excessive vibration may experience injury to blood vessels or the nervous system.

Vibration may cause the following symptoms to occur in the fingers, hands or wrists: "Falling asleep" (numbness), tingling, pain, stabbing sensation, alteration of skin colour or of the skin.

If any of these symptoms occur, see a physician!



29

Technical data

Item		Model	EK7650H	EK7651H	EK7651HD
Engine	Displacement	cid (cm ³)	4.61 (75.6)		
	Bore	in (mm)	2.0 (51)		
	Stroke	in (mm)	1.5 (37)		
	Max. power at speed	hp (kW) / rpm	4.1 (3.0) / 7,500		
	Max. torque	Nm	4.6		
	Idling speed	rpm	2,600		
	Clutch		Auto centrifugal system		
	Engine speed limitation	rpm	9,100		
	Max. spindle speed	rpm	4,300		
	Carburetor	Type	Diaphragm type		
	Ignition system (with speed limitation)	Type	Non-contact, magnet type		
	Spark plug	Type	NGK CMR6H		
	Electrode gap	in (mm)	0.02 (0.5)		
	Starting system		Recoil system		
	Fuel consumption at max. load per ISO 8893	kg/h	1.2		
	Specific consumption at max. load per ISO 8893	g/kWh	400		
	Fuel		Automobile gasoline (petrol)		
	Fuel tank capacity	fl oz (l)	37 (1.1)		
	Lubricant (engine oil)		API grade SF class or higher SAE 10W-30 oil (automobile 4-stroke engine oil)		
	Lubricant quantity	l	0.22		
Cutting disc for 80 m/sec. or higher ¹⁾ (DSA approved): dimensions	in (mm)	12 / 13/16 / 3/16 ²⁾ (300 / 20 / 5)	12 / 1 / 3/16 ²⁾ (300 / 25.4 / 5)	14 / 13/16 / 3/16 ²⁾ (350 / 20 / 5)	14 / 1 / 3/16 ²⁾ (350 / 25.4 / 5)
Sound pressure level at the operators ear ³⁾	dB (A)	93.2			
Sound pressure level at the bystander's position (50 ft) ³⁾	dB (A)	73.6			
Vibration total value a _{nv} according to ANSI B175.4					
- Front handle (rated spindle speed)	m/s ²	2.9			
- Rear handle (rated spindle speed)	m/s ²	2.4			
Arbor diameter	in (mm)	13/16 (20)	1 (25.4)	13/16 (20)	1 (25.4)
Spindle diameter	in (mm)	11/16 (17)		13/16 (20)	1 (25.4)
Minimum flange diameter	in (mm)	4.02 (102)			
Max. cutting depth	in (mm)	3-13/16 (97)		4-13/16 (122)	
Power Cutter Dimensions (overall length x overall width x overall height)	in (mm)	30" (761 mm) x 12-1/4" (310 mm) x 17-1/8" (435 mm)		30-3/4" (780 mm) x 12-1/4" (310 mm) x 17-7/8" (455 mm)	
V-belt no.	no.	225094-6			
Overall weight (tanks empty, without cutting disc)	lbs (kg)	27.9 (12.7)		28.3 (12.9)	

1) Circumference speed at max. engine speed

2) Outside diameter/arbor hole/maximum permissible thickness of the composite wheels

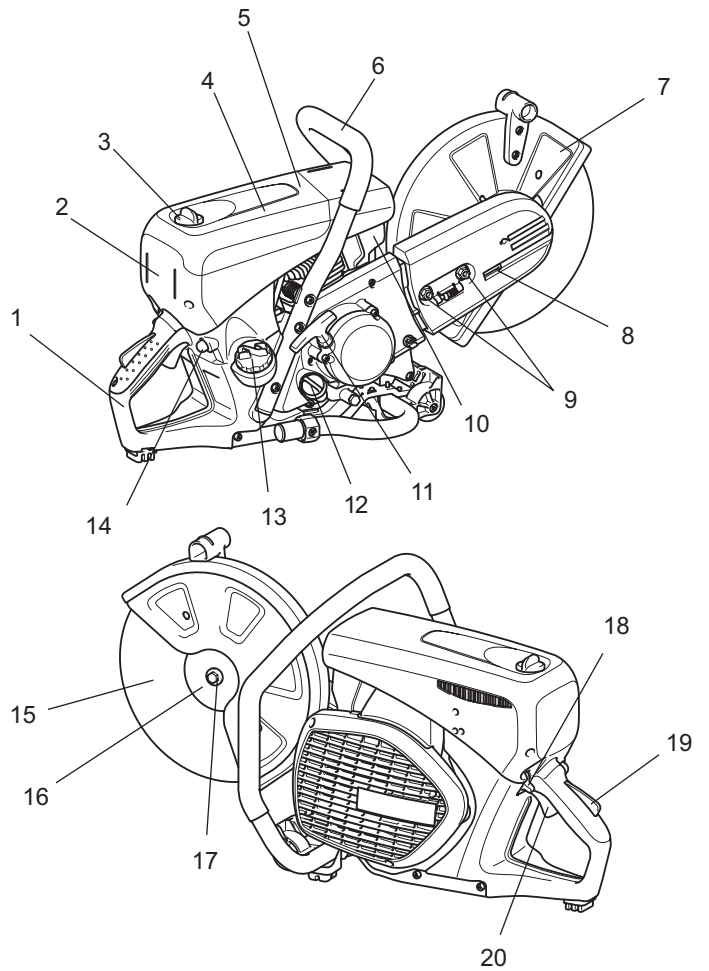
3) According to UL-test requirement under full load (cutting concrete)

(For Canada)

NOTE: This spark ignition system complies with the Canadian standard ICES-002.

Denomination of components

1. Rear handle
2. Filter cover
3. Lock screw
4. Top cover for air filter and spark plug cap
5. Top cover
6. Front handle
7. Protection hood
8. Tensioning screw
9. Hex. nut
10. Muffler
11. Starter grip
12. Oil tank cap
13. Fuel tank cap
14. Fuel pump (Primmer)
15. Cutting disc
16. Outer flange
17. Hex bolt
18. Switch
19. Safety locking button
20. Throttle lever

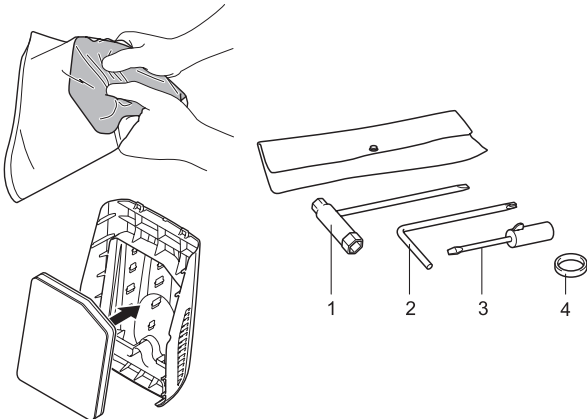




PUTTING INTO OPERATION

⚠ CAUTION:
Always turn off the engine and pull off the spark plug cap before doing any work on the Power Cutter! Always wear protective gloves!

⚠ CAUTION:
Start the Power Cutter only after complete assembly and inspection.

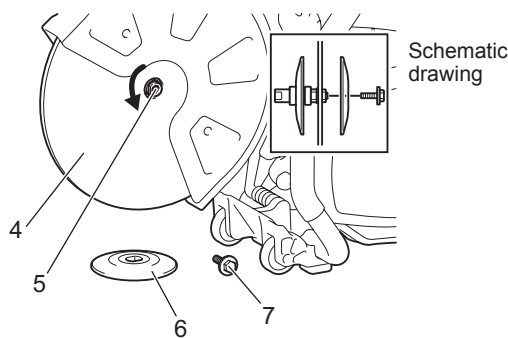


For the following work, use the assembly tools included with delivery:

1. 13/16 AF combination wrench
2. Star-shaped wrench
3. Carburetor adjustment screwdriver
4. Adapter ring (not included, depending on the spindle diameter): When the spindle diameter does not fit in the arbor hole of cutting disc, put the adapter ring between the spindle and the arbor hole.

Place the Power Cutter on a stable surface and carry out the following assembly steps:

⚠ No air filter is installed!
Before operation, squeeze the supplied filter several times so that oil is evenly immersed in the entire filter. Insert an oiled foam filter (pre-filter), as shown in the adjacent illustration! To do this, take off the filter cover (see the chapter on Cleaning/ changing the air filter).



Mounting the cutting disc

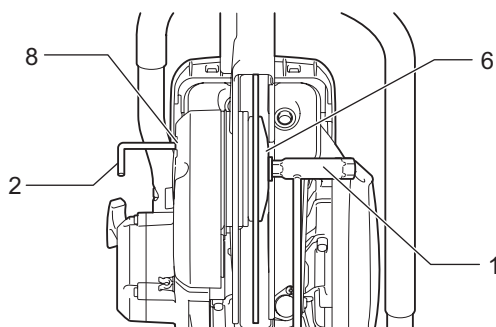
- ⚠ WARNING:**
- Check the integrity of the composite wheel both before and after fitting it to the machine.
 - When installing a diamond cutting disc, be sure to mount it so that the arrow is in the same direction as the outer flange (6) rotates. Mounting the diamond cutting disc (4) with its arrow direction opposite to that on the wheel cover may cause chipping of the disc edge and personal injury.
 - When installing a cutting disc (4), always use the ring that matches the bore of the cutting disc and the diameter of the spindle (5). Failure to use rings that mate may cause tool vibration resulting in serious personal injury.
 - Only use cutting discs with the bore that matches the diameter of the ring(s) provided. Using discs that do not mate may cause tool vibration resulting in serious personal injury.
 - Inspect a cutting disc for damage. (see the section titled "Cutoff discs" in SAFETY PRECAUTIONS.)

1. Insert the star-shaped wrench (2) into the hole (8) to prevent the spindle (5) from rotating.

NOTE: When the holder of the pressure water system is installed in the hole in the tool, remove it before mounting the cutting disc.

2. While holding on the wrench (2) in that position, use the combination wrench (1) provided and turn the bolt (7) securing the disc counterclockwise and remove the bolt (7) and outer flange (6).
3. Mount a diamond cutting disc/cut-off abrasive disc (4) on the arbor (5). And then put the outer flange (6) on the spindle so that the two parallel flat surface on the outer flange fit the spindle flat surface and firmly tighten the bolt clockwise. To install a cutting disc, mount a ring with the same matching diameter as the disc bore and the O ring provided to retain the ring on the spindle before installing a diamond cutting disc. And then install the cutting disc.

NOTE: Tighten the hex bolt firmly (25 - 31 Nm), as otherwise the cutting wheel may slip during cutting.



Tightening the V-belt / Checking V-belt tension

IMPORTANT:

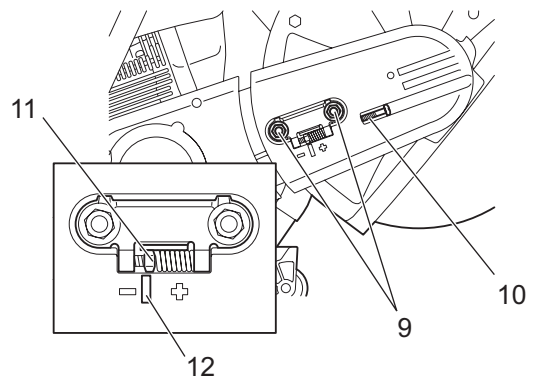
Exact V-belt tension is essential for maximum cutting performance with minimum fuel consumption. Improper V-belt tension will result in premature wear to the V-belt and V-belt wheel or damage to the clutch bearing.



NOTE: The two hex. nut (9) must be loosened before tightening the V-belt or checking the tension.

To increase the belt tension, turn the tension screw (10) to the right (clockwise) with the combination wrench included with the Power Cutter.

The belt tension is correctly adjusted when the nut (11) is located as shown in the figure compared to the position of the mark (12).



IMPORTANT:

- After tightening/inspection, make certain to tighten the hex. nut (9) (25 - 31 Nm).
- Do not adjust the belt tension while the machine is hot. There is a risk of burn injury.

Before operating

1. Checking/replenishing engine oil

- With the engine in a cool state, check/replenish engine oil in the following way.
- Position engine on a flat level, and check to see whether oil is within the range of MAX and MIN of the oil tank.
- If oil is insufficient (near the MIN mark of the oil tank), fill the oil tank with oil to the MAX mark.
- Oil quantity can be checked externally without removing the oil cap as the oil level can be seen at the external, see-through, measuring mark window.
- For reference, oil needs to be replenished every ten operating hours (one tank of oil for ten fuel refuels).
- Replace extremely dirty or discolored oil.

<Recommended oil>Use API grade SF class or higher SAE 10W-30 oil (automobile 4-stroke engine oil).

<Oil quantity>0.22 L (220 mL)

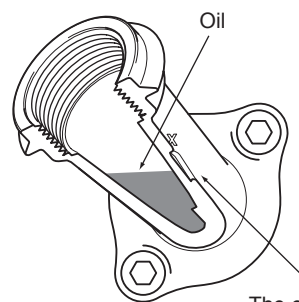
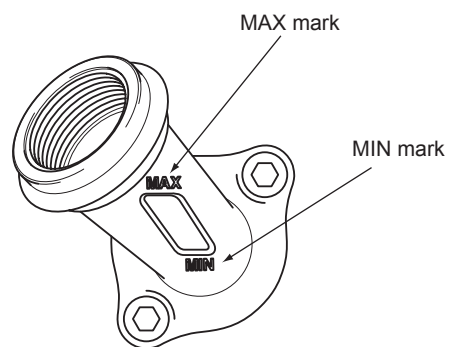
NOTE:

- If the engine is not stored in the upright position, oil will circulate through the engine, which will mean that there will be excessive oil in the Power Cutter when replenishing.
- If oil exceeds the MAX mark, it may leak out causing dirtying or white smoke.

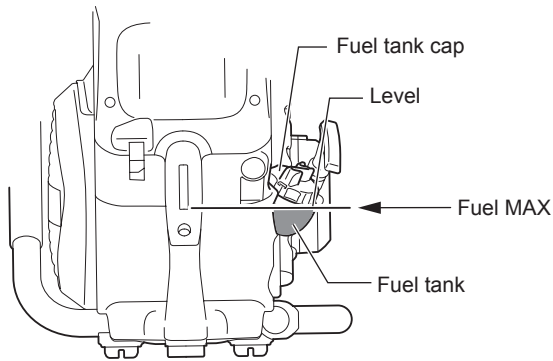
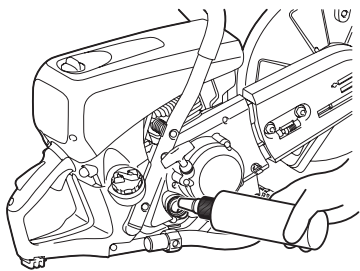
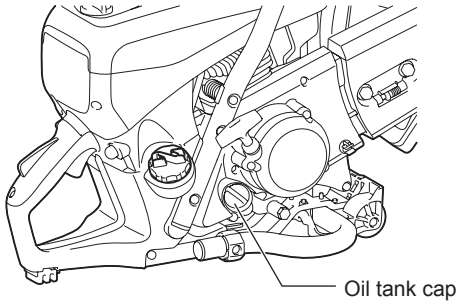
Oil replacement Point 1 <Oil cap>

Interval of replacement: Initially, after 20 operating hours, and subsequently every 30 operating hours.

- Clean away the dirt from around oil filling neck and then remove oil cap.
- Place the oil cap on a surface where it will not pick up grit and dirt. If the cap is put back on in a dirty state, oil circulation may deteriorate and engine parts become worn, which may cause mechanical failure.



The oil is visible from here, so the MAX and MIN marks can be used to check the quantity of oil.



- (1) Place engine on the level and remove oil cap.
- (2) Replenish oil to the base of the oil filling neck.
When replenishing oil, use a proper lubricant container for refilling.
- (3) Firmly tighten oil cap. If oil cap is loose, oil may leak out.

Oil replacement Point 2 <What to do if oil is spilled>

If oil is spilt between fuel tank and engine, and the Power Cutter operated, oil will be sucked in via the cold air intake, which may cause dirtying. Always wipe off spilt oil before using the power cutter.

2. Refueling

⚠ WARNING:

- **Always observe the following items when refueling. Failure to do so may cause flames or fire.**
 - Refuel away from flames. In addition, never smoke or bring any form of flame near to fuel or power cutter during refueling.
 - Stop the engine and let it cool down before refueling.
 - Always open fuel tank cap slowly to release internal pressure in a controlled manner. Failure to do so may cause fuel to spray out because of internal pressure.
 - Be careful not to spill fuel. If fuel is spilt, fully wipe away fuel.
 - Refuel in a well-ventilated location.
- **Always handle fuel with full care.**
 - If fuel comes into contact with skin and/or eyes, it may cause an allergic reaction and/or inflammation. In cases of such allergic reactions and/or inflammation, etc., seek medical advice from a specialist doctor immediately.

<Fuel storage period>

As a rule, fuel held in a proper fuel container, in a shaded location, with good ventilation, should be used up within four weeks. If a proper fuel container is not used and/or the cap is left off, etc., and the season is summer, fuel may deteriorate in one day.

Storing the Power Cutter and fuel container

- Store Power Cutter and fuel container away from direct sunlight in a cool location.
- Do not leave fuelled up Power Cutter or fuel container in automobile or automobile trunk (boot).

<Fuel>

The engine is a four-stroke engine, so use automobile gasoline (regular gasoline/petrol) to run the engine.

Fuel points

- Do not use a gasoline mixture (engine oil mixed with gasoline). Doing so may cause carbon build up and mechanical failure.
- The use of old fuel may cause poor engine startup.

<Refueling>

Always stop the engine and let it cool down before refueling.

<Usable Gasoline> Automobile gasoline (petrol)

- Slightly loosen the fuel tank cap to release pressure and thus equalize external and internal air pressure.
- Remove fuel tank cap and refuel. (Do not fill to the top of the tank neck.)
- After refueling, firmly tighten on fuel tank cap.
- The fuel tank cap is a consumable product. Therefore, if it shows wear or other abnormalities, replace it. (Rough guide to replacement is once every two or three years.)

Operating

Starting

⚠ WARNING:

Do not start the engine in locations where refueling has taken place. Move at least three meters away from the place where the Power Cutter was fuelled.

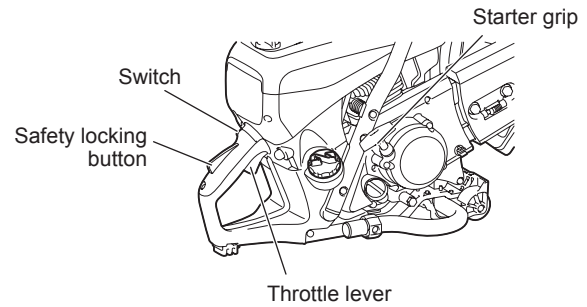
- Failure to do so may cause flames or fire.

⚠ CAUTION:


Before starting engine, be sure to check that the cutting disc is not touching the ground or any other obstacle.

- If the cutting disc is touching the ground or other obstacle, it may cause an accident.

As soon as the engine starts, the cutting disc will rotate, so be fully aware of nearby people and obstacles.

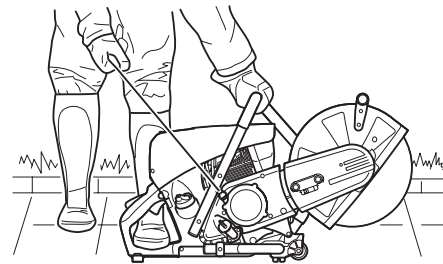


1. Cold-starting

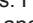
- (1) Repeatedly press primer pump until fuel enters it.
- (2) Flip switch in direction of  (choke).
- (3) Hold down rear handle with a foot and firmly hold down tubular handle with a hand.
- (4) Vigorously pull the start handle repeatedly until the first firing up sound is heard.

Warming up

- Once engine starts, hold down safety lever, and squeeze and release throttle repeatedly for one or two minutes to warm up the engine.
- Once engine speed stabilizes and it revs smoothly from low to high speed, warming up is complete.

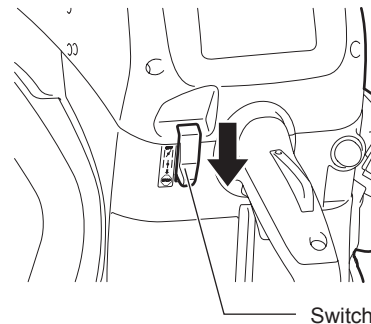


2. Starting up when engine is warm


Press the primer pump several times. From the outset, place the switch in the  (operating) position, and start the engine using task (3) of procedure 1 above.


NOTE:

- Repeatedly pulling and releasing the starter grip with the switch set to choke will flood the engine with fuel, making start up difficult.
- When the engine stops, never squeeze the throttle lever. Unnecessarily squeezing the throttle lever with the engine stopping will flood the engine with fuel, making start up difficult.
- If the engine does become flooded with fuel, remove the spark plug, and slowly pull the starter handle several times to remove the excess fuel. Also, dry the electrode section of the spark plug.
- Do not pull starter handle to the limit of the rope, as doing so shortens the lifespan of the rope. Furthermore, gently return the starter handle without suddenly letting go of it.
- Avoid letting the Power Cutter run at maximum idling speed, as doing so will shorten the lifespan of the engine.



3. Stopping

To stop the engine, release the throttle, and set the switch to the  (Stop) position.

If the choke lever is wrongly moved to the  position to stop the tool, use half throttle to restart.

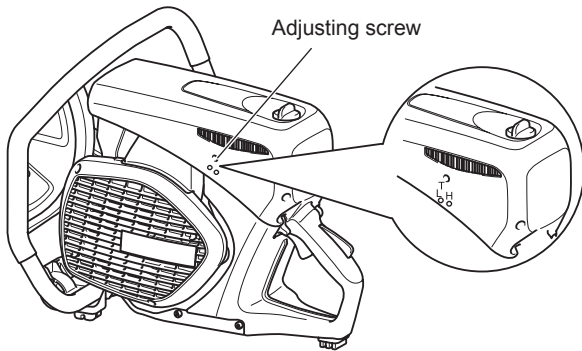
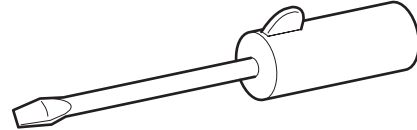
Adjusting the carburetor



NOTE: This engine is equipped with an electronic ignition to limit the speed. The carburetor also has a fixed jet which cannot be adjusted.

At the factory the idling speed has been set to approx. 2,600 rpm, but the running-in process of a new engine may require slight readjustment of the idling speed.

Set the idling speed with a screwdriver (width of blade: 4 mm). A screwdriver with a molded-on lug, supplied as an optional accessory, is useful for the adjustment.



Adjusting screw

4. Idling adjustment

CAUTION: Carburetor adjustment may only be done by a specialist MAKITA service center!

Do not undertake any adjustments to adjusting screws (H) and (L) without a tachometer! Incorrect adjustment can lead to engine damage!

A tachometer is needed for adjustments to adjusting screws (H) and (L), because if the engine runs over its maximum rated speed, it can overheat and run out of lubricant. This can damage the engine!

Only adjusting screw (T) can be manipulated by the user. If the cutting disc moves in idle (i.e. without the throttle being pressed), it is imperative to correct the idle speed! Idle speed adjustment must only be undertaken when the engine is warm, with a clean air filter.

Use a screwdriver (4 mm blade) for idle adjustments.

MAINTENANCE

⚠ CAUTION:

- **Before doing any work on the Power Cutter stop the engine and let it cool down, remove the cutting disc, pull the plug cap off the spark plug and wear protective gloves!** Carrying out maintenance directly after stopping the engine or with the plug cap on the spark plug may cause burns from hot engine or injury from inadvertent start up.
- **Start the Power Cutter only after complete assembly and inspection.**
- Never use gasoline, benzine, thinner, alcohol or the like. Discoloration, deformation or cracks may result.

NOTE:

- Wipe off dirt from the Power Cutter and then select a clean workplace to carry out maintenance.





SERVICE

IMPORTANT:

Because many of the parts and assemblies not mentioned in this Instruction Manual are vital to the safety of the unit, and because all parts are subject to a certain amount of wear and tear, it is important for your own safety that you have the unit checked and maintained regularly by a MAKITA service center.

IMPORTANT:



If the cutting wheel breaks during cutting, the Power Cutter must be repaired by a MAKITA service centre before being used again!

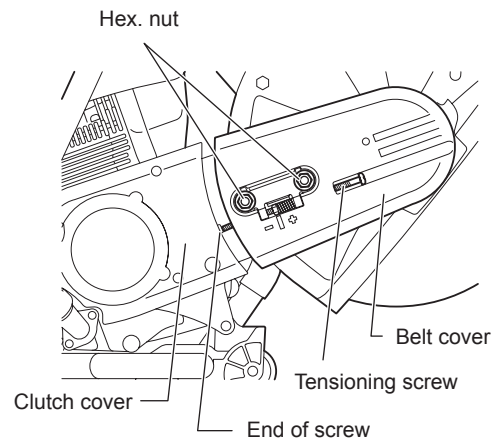
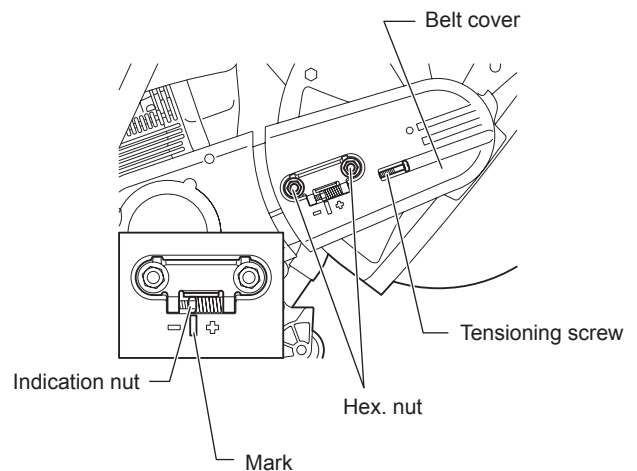
V-belt

1. Adjusting V-belt tension

- If the cutting disc halts in mid operation easily, the V-belt has slackened. If this is the case, adjust tension using the following procedure.
 - (1) Loosen belt cover tightening nuts.
 - (2) Turn the tension adjustment screw to the right (clockwise) until the indicator nut reaches the marked position in order to increase the tension of the V-belt.
 - (3) Once V-belt tensioning is complete, firmly retighten the belt cover tightening nuts.
- If the cutting disc stops easily even though the tension of the V-belt has been adjusted, or the V-belt breaks, replace with a new V-belt.

2. Changing the V-belt

- (1) Loosen tightening nut, and turn tension adjustment screw to the left until the end of the screw is visible.
- (2) Remove tightening nuts, and then remove belt cover.
- (3) Next, remove the three mounting screws, and remove the clutch cover.
- (4) Remove the old V-belt, and fit on a new V-belt. Now, remount the clutch cover followed by belt cover.
- (5) Adjust tension as shown in the Adjusting V-belt tension section.



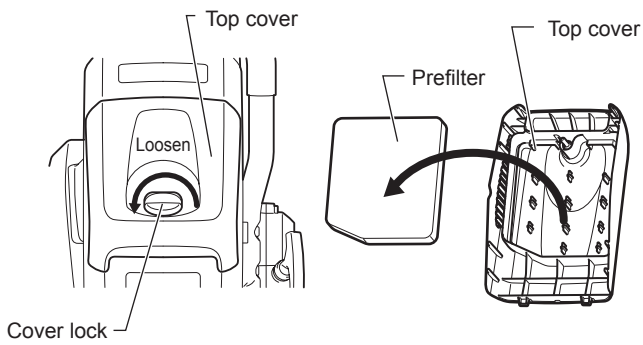
Cleaning the protection hood

Over time, the inside of the protection hood can become caked with material residue (especially from wet cutting), which if allowed to accumulate can hinder the free rotation of the cutting disc. For this reason the hood must be cleaned out from time to time.

Take off the cutting wheel and remove the accumulated material from inside the hood with a strip of wood or similar implement. Clean the shaft and all disassembled parts with a cloth.

NOTE: To install the cutting wheel see “Mounting the cutting disc”.

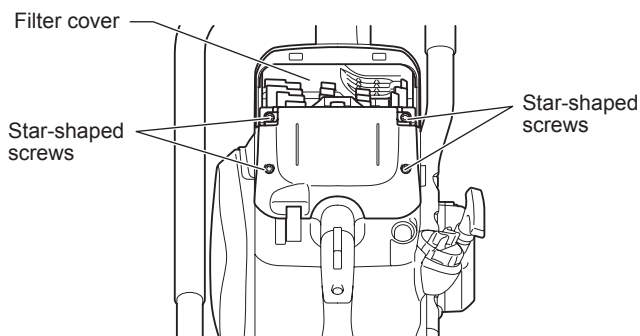
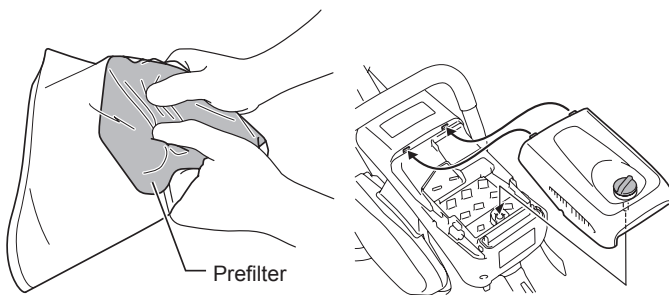




Cleaning/changing the air filter

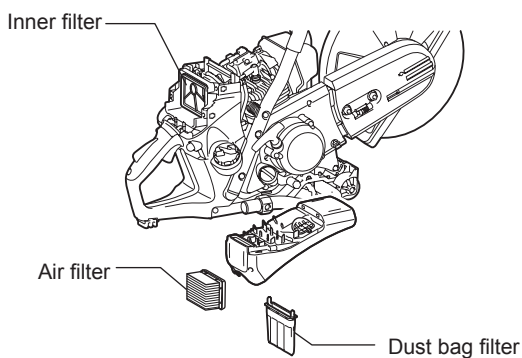
If the air filter becomes clogged, it may cause poor engine performance. Therefore, every time after using the Power Cutter, be sure to clean the air filter in the following way.

- Turn the cover lock to the left and remove it.
- Remove the top cover after blowing off dust from it.
- Next, remove the prefilter.
- Wash the prefilter in water-diluted detergent, and dry them completely. Do not squeeze or rub the prefilter when washing.
- Apply 40 ml of new 2-stroke/4-stroke engine oil onto the prefilter, grasp it softly to disperse engine oil evenly.
- Set the prefilter into the top cover firmly.
- With aligning the top cover's tooth with the counter part of the housing, tighten the cover lock.



In addition to the cleaning above, perform following steps when the interval listed in "Maintenance chart" passes.

- Remove the four star-shaped screws.
- Remove the filter cover.
- Remove the air filter.
- Remove the dust bag filter from the filter cover and gently tap and blow on it to clean.
- Gently tap and blow on the inner filter to remove dirt and dust. Also, periodically wash the inner filter in soapy water and dry thoroughly.
- To clean the air filter tap it gently. If an air compressor is to be used, blow the compressed air onto the inside of the air filter. Do not wash the air filter.
- Blow off dust from around the filters.
- Reassemble the air filter to filter cover once cleaning is finished. Set the air filter onto the filter cover first when setting the filter cover.
- Tighten the cover lock firmly.

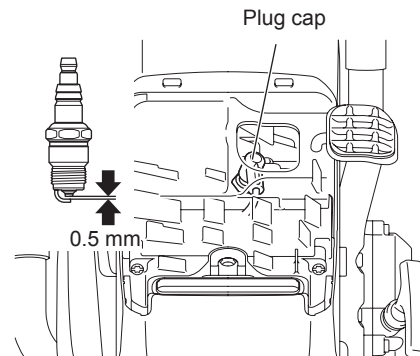
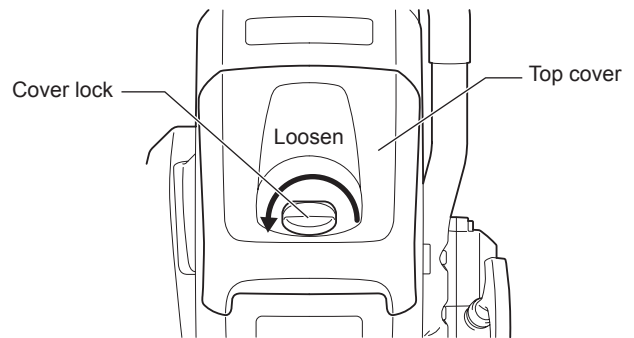


Notice:

- Do not wash the air filter with water.
- Replace worn or damaged filters with new ones.
- Do not wash filters with gasoline, benzene, thinner, alcohol or the like.

Spark plug maintenance

- (1) Loosen the cover lock and remove the top cover.
- (2) Open plug cover, remove plug cap, and remove spark plug.
- (3) Check to see whether or not the electrode gap is 0.5 mm. If the gap is too big or too small, adjust it to 0.5 mm.
- (4) If carbon and/or dirt has gathered on spark plug, clean, and then remount. An excessively worn or burnt spark plug should be replaced with a new one.
- (5) After carrying out maintenance on the spark plug, remount it, attach plug cap, and then secure plug cover.



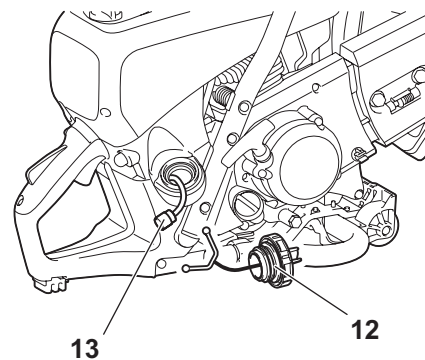
Replacing the suction head

The fuel tank filter (13) of the suction head can become clogged. It is recommended to replace the suction head once every three months in order to ensure unimpeded fuel flow to the carburetor. Unscrew the fuel tank cap (12) and pull the loss-prevention stopper out.

Empty fuel tank.

To remove the suction head for replacement, pull it out through the tank filler neck using a piece of wire bent at one end to form a hook.

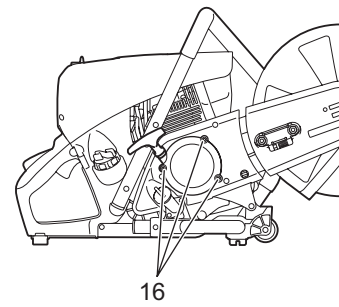
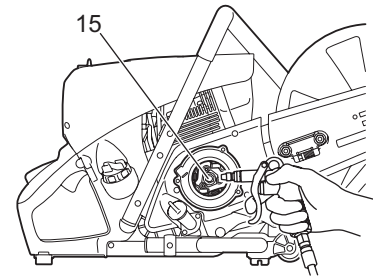
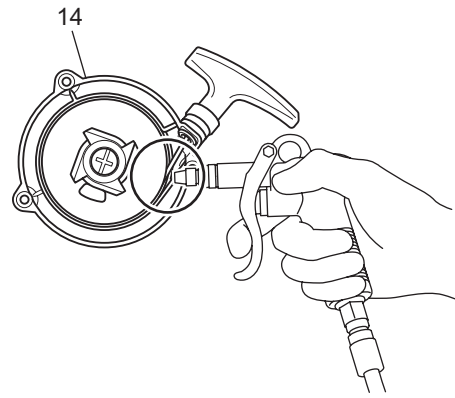
⚠ CAUTION: Do not allow fuel to come into contact with skin!



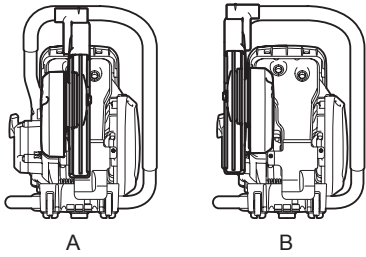
Cleaning the starter

When the starter doesn't work well, for example the starter rope doesn't return to initial position, it is necessary to blow off dust from the starter (14) and the clutch (15).

To clean the starter and the clutch, remove three screws (16) for access.



Mounting direction



Changing the cutting attachment position (central/side)

Mounting direction of hood

- The Power Cutter's cutting attachment is mounted in the direction shown in Fig. A. If desired, use the following procedure to mount it in the direction shown in Fig. B.

Mounting in direction B

- Loosen tightening nut, and turn tension adjustment screw to the left until the end of the screw is visible. (Fig. 1)
 - Remove tightening nuts and remove belt cover. (Fig. 1)
 - Rotate the hood to the broken line position. Remove V-belt and then remove cutting attachment from the Power Cutter. Reposition the grip. (Fig. 2)
 - Pick up the lock shaft with a slotted screwdriver or a plier. (Fig. 3)
 - Rotate the arm until it contacts the grip and return the lock shaft to the original position by hand. (Fig. 4)
 - Turn over the removed cutting attachment, pass bolt through hole, and remount in direction B. Remount the V-belt to the pulley. (Fig. 6)
 - Mount belt cover. (Fig. 7)
- Turn the tension adjustment screw to adjust the tension of the V-belt. Once tension adjustment is finished, firmly tighten the tightening nut.

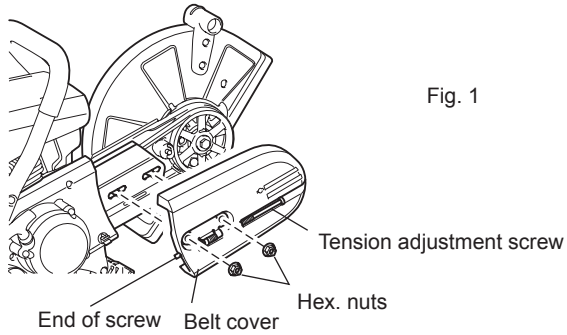


Fig. 1

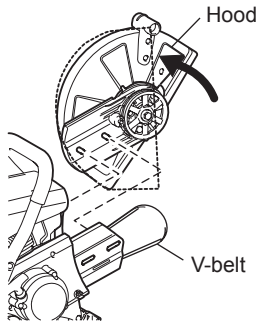


Fig. 2

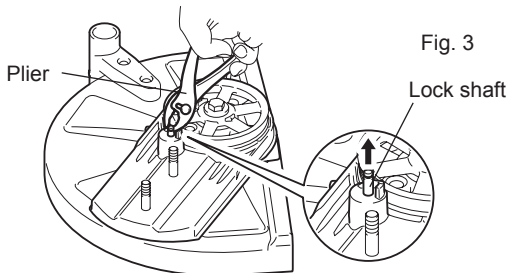


Fig. 3

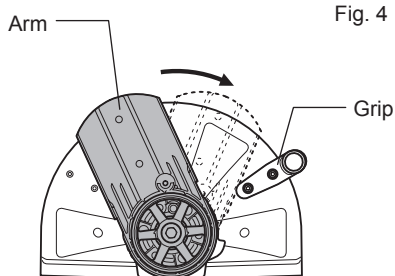


Fig. 4

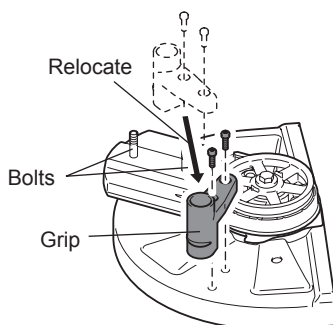


Fig. 5

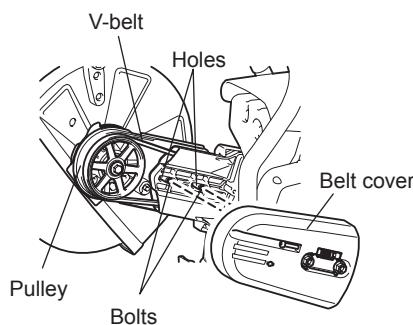


Fig. 6

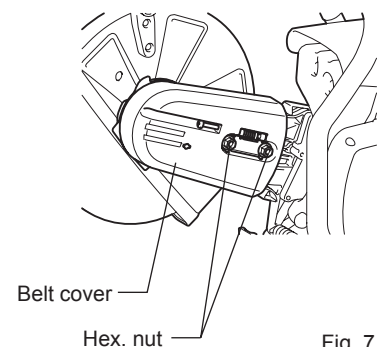


Fig. 7

SPECIAL ACCESSORIES

Diamond cutting discs

MAKITA diamond cutting discs meet the highest demands in working safety, ease of operation, and economical cutting performance. They can be used for cutting all materials **except metal**.

The high durability of the diamond grains ensures low wear and thereby a very long service life with almost no change in disc diameter over the lifetime of the disc. This gives consistent cutting performance and thus high economy. The outstanding cutting qualities of the discs make cutting easier.

The metal disc plates give highly concentric running for minimal vibration during use.

The use of diamond cutting discs reduces cutting time significantly. This in turn leads to lower operating costs (fuel consumption, wear on parts, repairs, and last but not least environmental damage).

Guide cart

The MAKITA guide cart makes it much easier to do straight cuts, while simultaneously enabling almost untiring working. It can be adjusted for the operator's height, and can be operated with the cutting attachment mounted in the middle or on the side.

A depth limiter can be added for still easier and more accurate cutting. It makes it possible to maintain a precise predetermined cut depth.

To keep down dust and for better cutting-disc cooling, MAKITA offers several options for wetting the disc during operation.

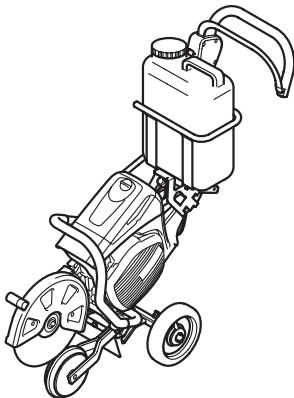
Water tank (the component of cart)

The water tank is designed to be mounted on the guide cart. Its high capacity makes it especially suitable for situations involving frequent site changes. For filling or for fast changing to reserve tanks, the tank can be simply lifted off the cart. The water tank comes with all necessary connections and hoses. Mounting to the cart and Power Cutter are very fast and simple.

Mains/pressure water system

The mains/pressure water system is designed to be mounted on the Power Cutter. It can be used with or without the cart, but is especially suitable for applications involving hand-held, stationary cutting. The water line has a fast-release connection, and can be fed either from a mains supply or from a pressure tank (7). The water system comes with all necessary connections and lines. It can be quickly and easily mounted on the Power Cutter.

- Cart set
This is useful for road bed cutting
- Filter set
Prefilter (5 filters)
Air filter (1 filter)
Dust bag filter (1 filter)



Maintenance chart

Item	Operating time	Before operation	After refueling	Daily (10h)	20h	30h	50h	200h	Before storage	Corresponding P
Engine oil	Inspect/clean	○								14
	Replace					○*1				
Tightening parts (bolt, nut)	Inspect	○								—
Fuel tank	Clean/inspect	○								—
	Drain fuel								○*3	9
V-belt	Inspect/adjust	○								18
Throttle lever	Check function		○							—
Stop switch	Check function		○							16
Cutting disc	Inspect	○		○						6
Idle speed	Inspect/adjust			○						17
Air filter	Clean						○			19
Dust bag filter	Clean/replace				○					19
Prefilter	Clean/replace			○						19
Spark plug	Inspect			○						20
Cooling air passage and cylinder fins	Clean/inspect			○						—
Fuel pipe	Inspect			○						—
	Replace							◎*2		—
Fuel filter	Clean/replace						○			20
Valve clearance (intake valve and exhaust valve)	Inspect/adjust							◎*2		—
Carburetor	Drain fuel								○*3	9

*1 Perform initial replacement after 20h operation.

*2 For the 200 operating hour inspection, request Authorized Service Agent or a machine shop.

*3 After emptying the fuel tank, continue to run the engine and drain fuel in the carburetor.

Fault location

Fault	System	Observation	Cause
Cutting disc does not start turning	Clutch	Engine runs	Damage to clutch
Engine does not start or with difficulty	Ignition system	Ignition spark O.K. No ignition spark	Fault in fuel supply or compression system, mechanical defect STOP-switch operated, wiring fault or short circuit, spark plug or connector defective, ignition module faulty
	Fuel supply	Fuel tank filled	Incorrect choke position, carburetor defective, fuel supply line bent or blocked, fuel dirty
	Compression system	No compression when pulled over	Cylinder head gasket defective, crankshaft seals damaged, cylinder or piston rings defective or improper sealing of spark plug
	Mechanical fault	Starter not engaging	Broken starter spring, broken parts inside of the engine
	Clutch	Contamination adheres to clutch and around parts	Ratchet spring contaminated and opened, have it cleaned
Warm start problems	Carburetor	Tank filled, ignition spark existing	Carburetor contaminated, have it cleaned
Engine starts, but dies immediately	Fuel supply	Tank filled	Incorrect idling adjustment, suction head or carburetor contaminated Fuel tank vent defective, fuel supply line interrupted, cable or STOP-switch faulty
Insufficient performance	Several systems may simultaneously be affected	Engine idling poor	Air filter contaminated, carburetor contaminated, muffler clogged, exhaust duct in the cylinder clogged

Troubleshooting

Before making a request for repairs, check a trouble for yourself. If any abnormality is found, control your machine according to the description of this manual. Never tamper or dismount any part contrary to the description. For repairs, contact Authorized Service Agent or local dealership.

State of abnormality	Probable cause (malfunction)	Remedy
Engine does not start	Failure to operate primer pump	Push 7 to 10 times
	Low pulling speed of starter rope	Pull strongly
	Lack of fuel	Feed fuel
	Clogged fuel filter	Clean
	Broken fuel tube	Straighten fuel tube
	Deteriorated fuel	Deteriorated fuel makes starting more difficult. Replace with new one. (Recommended replacement: 1 month)
	Excessive suction of fuel	Set throttle lever from medium speed to high speed, and pull starter handle until engine starts. Once engine starts, cutting disc starts rotating. Pay full attention to cutting disc. If engine will not start still, remove spark plug, make electrode dry, and reassemble them as they originally are. Then, start as specified.
	Detached plug cap	Attach securely
	Contaminated spark plug	Clean
	Abnormal clearance of spark plug	Adjust clearance
	Other abnormality of spark plug	Replace
	Abnormal carburetor	Make request for inspection and maintenance.
	Starter rope cannot be pulled	Make request for inspection and maintenance.
	Abnormal drive system	Make request for inspection and maintenance.
Contaminated clutch and around parts	Clean	
Engine stops soon Engine speed does not increase	Insufficient warm-up	Perform warm-up operation
	Choke lever is set to "H" although engine is warmed up.	Set to "ON II"
	Clogged fuel filter	Clean
	Contaminated or clogged air cleaner	Clean
	Abnormal carburetor	Make request for inspection and maintenance.
	Abnormal drive system	Make request for inspection and maintenance.
Cutting disc does not rotate ↓ Stop engine immediately	Loosened cutting disc-tightening bolt	Tighten securely
	Abnormal drive system	Make request for inspection and maintenance.
Main unit vibrates abnormally ↓ Stop engine immediately	Broken, bent or worn cutting disc	Replace cutter blade
	Loosened cutting disc-tightening bolt	Tighten securely
	Abnormal drive system	Make request for inspection and maintenance.
Cutting disc does not stop immediately ↓ Stop engine immediately	High idling rotation	Adjust
	Detached throttle linkage	Make request for inspection and maintenance.
	Abnormal drive system	Make request for inspection and maintenance.
Engine does not stop ↓ Run engine at idling, and set choke lever to "H"	Detached connector	Attach securely
	Abnormal electric system	Make request for inspection and maintenance.

When the engine does not start after warm-up operation:

If there is no abnormality found for the check items, open the throttle by about 1/3 and start the engine.

Storage

WARNING:

When draining out fuel, always stop the engine, let it cool, and then drain fuel.

- Draining fuel directly after stopping the engine may cause flames or fire, which could cause burn injuries.

CAUTION:

If the Power Cutter is not to be used for a prolonged period, drain out all the fuel, and store the Power Cutter in a dry, clean location.

- Use the following procedures to drain out fuel from fuel tank and carburetor.

(1) Remove fuel tank cap, drain out fuel until tank is empty.

At this time, check to see if there is foreign matter inside the fuel tank. If there is, remove.

(2) Use a piece of wire, etc., to pull out fuel filter from neck of tank.

(3) Press the primer pump until all of the fuel is forced back into the fuel tank, and then be sure to clean out this fuel from the fuel tank.

(4) Return the fuel filter to its position in the fuel tank, and then firmly retighten fuel tank cap.

(5) Finally, run the engine until it stops.

(6) Remove the spark plug, and drain out the few drops of engine oil from the socket hole.

(7) Slowly pull the starter handle, to circulate oil throughout the engine, and then remount the spark plug.

(8) Place the drained off fuel in a proper fuel container, and store in a shaded place that is well ventilated.

Merci d'avoir acheté un produit MAKITA!

Nous vous félicitons d'avoir choisi une découpeuse thermique MAKITA. Nous sommes convaincus que vous serez satisfait de cette pièce d'équipement moderne.

Nous voulons que vous soyez satisfait de votre produit MAKITA. Afin de garantir le fonctionnement optimal de votre découpeuse thermique et d'assurer votre sécurité personnelle, nous vous demandons de suivre la consigne suivante :

Lisez attentivement les instructions du présent manuel avant de vous servir de la découpeuse pour la première fois, et respectez à la lettre les consignes de sécurité! Le fait de négliger les précautions peut entraîner des blessures graves, voire la mort.



Sommaire	Page
Emballage	28
Contenu de l'emballage	29
Symboles	29
MESURES DE SÉCURITÉ	30
Précautions élémentaires.....	30
Équipement de protection.....	30
Remplissage du réservoir de carburant.....	31
Utilisation de l'appareil.....	31
Disques de coupe.....	32
Rebonds vers l'arrière, vers l'avant et forces gyroscopiques.....	33
Méthode de travail.....	33
Coupe des métaux.....	34
Coupe de la maçonnerie et du béton.....	34
Transport et entreposage.....	35
Entretien.....	36
Premiers soins.....	36
Données techniques	37
Désignation des pièces	38
UTILISATION DE L'APPAREIL	39
Installation du disque de coupe.....	39
Vérification et réglage de la courroie en V.....	40
Avant l'utilisation.....	40
Utilisation	42
Démarrage.....	42
Réglage du carburateur	43
ENTRETIEN	43
Courroie en V.....	44
Nettoyage du capot de protection.....	44
Nettoyage et remplacement du filtre à air.....	45
Entretien de la bougie d'allumage.....	46
Remplacement de la crépine d'aspiration.....	46
Nettoyage du lanceur.....	47
Changement de la position de la lame (centrale/latérale).....	48
ACCESSOIRES FACULTATIFS	49
Disque de coupe en diamant.....	49
Chariot de guidage.....	49
Réservoir à eau (monté sur le chariot).....	49
Trousse de raccords pour conduite ou dispositif d'eau sous pression.....	49
Tableau d'entretien préventif	50
Localisation des défaillances	51
Dépannage	52
Entreposage	53

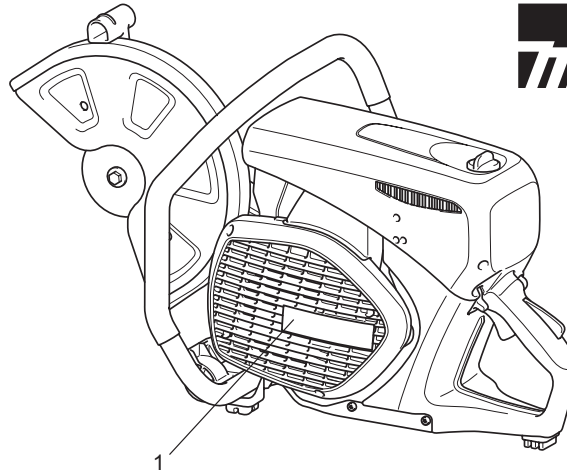
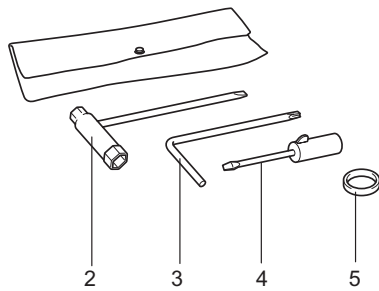
Emballage

Votre découpeuse thermique MAKITA est emballée dans une boîte en carton pour éviter les dommages pendant l'expédition.

Le carton est une matière première de base; il est donc réutilisable ou peut être recyclé (recyclage du papier).



Contenu de l'emballage



Makita

1. Découpeuse thermique
2. Clé mixte 13/19 AF
3. Clé à tête en forme d'étoile
4. Tournevis de réglage du carburateur
5. Bague d'adaptation (dans certains pays, cette bague n'est pas nécessaire)
6. Manuel d'instructions (non illustré)

Veuillez consulter votre agent de vente s'il manque une des pièces présentées dans la liste.

Symboles

Vous remarquerez les symboles suivants sur la scie et dans le manuel d'instructions :

	Lisez le manuel d'instructions, et respectez les avertissements et mesures de sécurité!		Dimensions du disque de coupe
	Précaution importante!		Ne jamais utiliser de lames de scie circulaires, de lames à plaquettes de carbure ou de lames à couper le bois!
	Interdit!		Ne jamais utiliser des disques à découper défectueux!
	Casque de protection, protections oculaire, auditive et respiratoire obligatoires!		Démarrage manuel du moteur
	Portez des gants de protection!		Arrêtez le moteur!
	Défense de fumer!		Avertissement! Rebond!
	Tenir loin du feu!		Carburant (essence)
	Sens de la rotation du disque de coupe		Premiers soins
	AVERTISSEMENT : La vitesse périphérique maximale du disque de coupe est de 80 m/s!		Recyclage

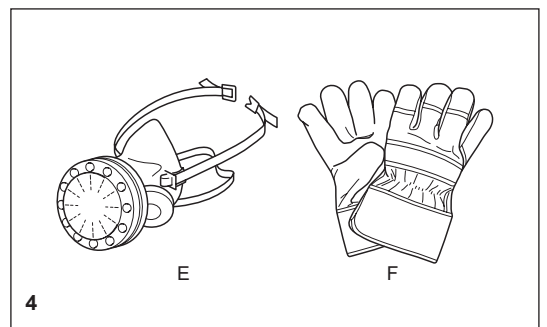
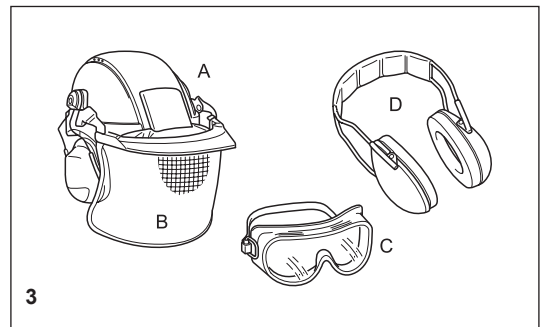
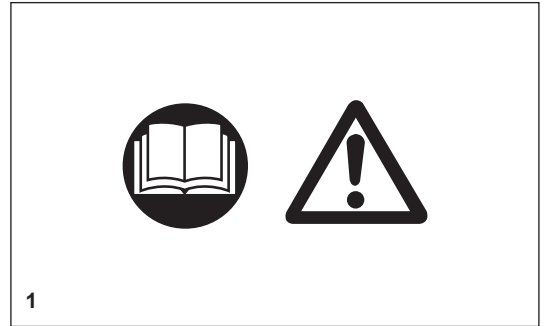
MESURES DE SÉCURITÉ

Précautions élémentaires

- Vous **DEVEZ lire ce manuel d'instructions avant d'utiliser cet appareil pour en assurer un fonctionnement sécuritaire (même si vous avez de l'expérience dans l'utilisation des découpeuses)**. Il est important de connaître les particularités de cet appareil en ce qui concerne son utilisation. S'ils ne sont pas suffisamment informés, les utilisateurs qui manipulent cet appareil de façon incorrecte représentent un danger pour eux-mêmes comme pour les autres.
- Seules les personnes qui ont une expérience dans l'utilisation des découpeuses doivent travailler avec cet appareil. Lorsqu'on laisse une autre personne utiliser la découpeuse thermique, l'on doit également lui fournir le présent manuel.
- Les personnes qui utilisent cette découpeuse pour la première fois devraient demander à un spécialiste de les former sur l'utilisation des scies à essence.
- L'on doit interdire l'utilisation de cette découpeuse thermique aux personnes de moins de 18 ans. Les personnes âgées de plus de 16 ans peuvent toutefois utiliser cet appareil dans le cadre d'une formation, mais toujours sous la surveillance d'une personne qualifiée.
- Travailler avec cette découpeuse thermique exige une très grande concentration.
- N'utilisez cette découpeuse thermique que si vous êtes en bonne forme physique. Si vous êtes fatigué, vous serez moins attentif. Soyez tout particulièrement prudent après une journée de travail. Manipulez délicatement et soigneusement l'appareil. Le détenteur de l'appareil est responsable de l'utilisation qui en est faite par d'autres personnes.
- Ne jamais travailler sous l'influence de l'alcool, de drogues, de médicaments ou d'autres substances qui peuvent altérer la vision, la dextérité ou le jugement.
- Un extincteur doit être disponible à proximité.
- La coupe de matériaux toxiques comme l'amiante ne peut s'effectuer qu'en prenant les précautions de sécurité nécessaires, et seulement sous la supervision d'une personne nommée par les autorités compétentes.

Équipement de protection

- Afin d'éviter les blessures à la tête, aux yeux, aux mains ou aux pieds et de protéger votre ouïe, vous devez porter l'équipement de protection indiqué ci-dessous lorsque vous manipulez la découpeuse thermique.
Si vous utilisez un équipement de protection personnelle, assurez-vous qu'il est conforme à la norme ANSI Z87.1!
- Vos vêtements doivent être bien ajustés, mais sans que cela gêne vos mouvements. Les vêtements dans lesquels les particules de matériau peuvent s'accumuler (pantalons à revers, vestes et pantalons avec des poches grandes ouvertes, entre autres) ne doivent pas être portés, particulièrement lorsque l'on coupe du métal.
- Ne portez pas de bijoux ou de vêtements qui peuvent se coincer ou distraire votre attention pendant l'utilisation de la découpeuse thermique.
- Il est nécessaire de porter un casque protecteur lorsque vous travaillez avec la découpeuse thermique. Le **casque de protection (A)** doit être inspecté régulièrement pour s'assurer qu'il ne présente pas de dommages, et il doit être remplacé au moins tous les cinq ans. Utilisez uniquement des casques de protection homologués.
- La **visière (B)** du casque protège le visage de la poussière et des particules de matériau. Afin d'éviter de vous blesser les yeux ou le visage, portez toujours des **lunettes de protection (C)** ou une visière lorsque vous utilisez la découpeuse thermique.
- Pour éviter d'endommager votre ouïe, portez toujours des **protecteurs auditifs** appropriés (par exemple, des protège-oreilles (D) ou des bouche-oreilles). Analyse de bande d'octave offerte à la demande.
- L'on doit toujours porter un dispositif de **protection respiratoire** approuvé (E) lorsque l'on effectue la coupe à sec de matériaux produisant de la poussière, tels que la pierre ou le béton.
- Les **gants de travail (F)** en cuir résistant font partie de l'équipement obligatoire et doivent toujours être portés lorsqu'on utilise la découpeuse thermique.



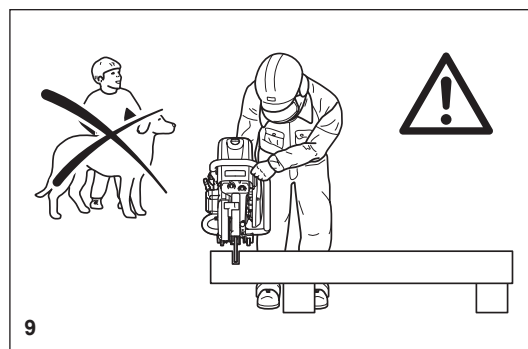
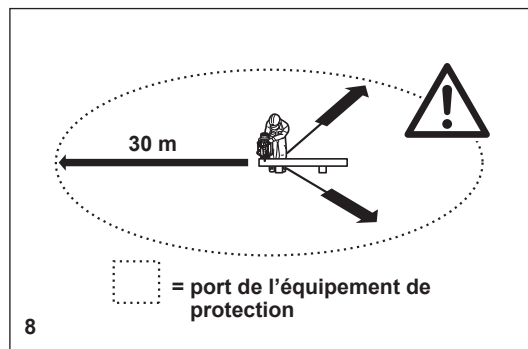
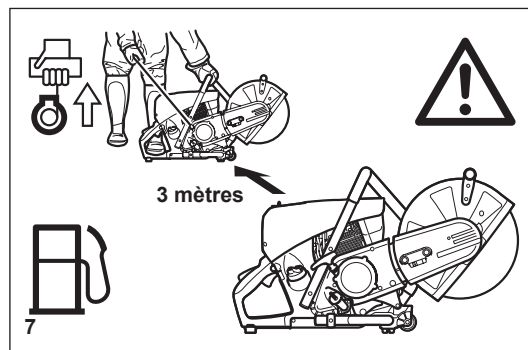
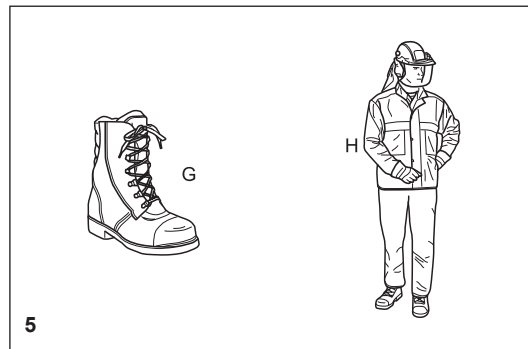
- Portez toujours **des chaussures ou des bottes de sécurité (G)** à embouts d'acier, à semelles antidérapantes et munies de protecteurs de jambe lorsque vous travaillez avec la découpeuse thermique. Certaines chaussures de sécurité sont dotées d'une couche de protection contre les coupures et assurent une meilleure stabilité de l'utilisateur lorsqu'il utilise l'appareil.
- Portez toujours une **tenue de travail (H)** fait de matériau solide.

Remplissage du réservoir de carburant

- Effectuez le remplissage du réservoir de carburant en un endroit sécuritaire et sur une surface plane. **Ne remplissez jamais le réservoir sur un échafaudage, sur des tas de matériaux ou tout autre lieu similaire!**
- Fermez le moteur avant de remplir le réservoir de carburant de la découpeuse thermique.
- Ne fumez pas. N'effectuez pas l'opération près des flammes (6).
- Laissez le moteur refroidir avant de remplir le réservoir de carburant.
- Les carburants peuvent contenir des substances similaires aux solvants. Les yeux et la peau ne doivent pas entrer en contact avec les produits pétroliers. Portez toujours des gants lors du remplissage (pas les gants de travail!) Lavez souvent vos vêtements de protection, et changez-les fréquemment. N'inhaliez pas les vapeurs de carburant, car elles présentent un risque pour la santé.
- Ne renversez pas de carburant. En cas de déversement, nettoyez immédiatement la découpeuse thermique. Le carburant ne doit pas entrer en contact avec les vêtements. Si du carburant entre en contact avec vos vêtements, changez-les immédiatement.
- Veillez à ce qu'aucun carburant ne pénètre dans le sol (aux fins de protection de l'environnement). Effectuez le remplissage en un endroit approprié.
- Le remplissage du réservoir de carburant n'est pas autorisé dans des locaux fermés. Les vapeurs de carburant s'accumulent près du sol (risque d'explosion).
- Assurez-vous de bien serrer le bouchon à vis du réservoir de carburant.
- Avant de démarrer le moteur, déplacez-vous vers un emplacement situé à au moins 3 mètres de l'endroit où vous avez rempli le réservoir de carburant (7), hors de la zone de pivotement étendue du disque de coupe (direction des étincelles).
- Le carburant ne peut pas être stocké pour une durée illimitée. N'achetez donc que la quantité requise à court terme.
- Utilisez uniquement des contenants approuvés et marqués pour le transport et le stockage du carburant.
- **Gardez le carburant hors de portée des enfants!**

Utilisation de l'appareil

- **Ne travaillez pas seul. Il doit y avoir quelqu'un à proximité en cas d'urgence (à portée de voix).**
- Respecter toutes les réglementations antibruit lorsque vous travaillez dans des zones résidentielles.
- **N'utilisez jamais la découpeuse thermique à proximité de matières inflammables ou de gaz explosifs! La découpeuse thermique peut produire des étincelles entraînant un incendie ou une explosion!**
- Assurez-vous que toutes les personnes situées dans un rayon de 30 mètres de l'appareil (par exemple, d'autres travailleurs) portent des vêtements de protection (reportez-vous à la section intitulée « Équipement de protection ») (8). Les enfants et les autres personnes non autorisées doivent se trouver à plus de 30 mètres de la zone de travail. Assurez-vous également qu'il n'y a pas d'animal dans cette zone (9).
- **Avant de commencer à travailler avec la découpeuse thermique, vous devez en vérifier le bon fonctionnement et vous assurer que toutes les directives liées à la sécurité sont respectées à la lettre.**
En particulier, assurez-vous que le disque de coupe est en bon état (remplacez-le immédiatement s'il est fissuré, endommagé ou plié) et qu'il est correctement installé, que le capot de protection est verrouillé en place, que le garde-main est correctement installé, que la courroie en V a la bonne tension, que la manette des gaz se déplace facilement, que les poignées sont propres et secs et que le combiné interrupteur fonctionne correctement.
- Ne démarrez la découpeuse thermique qu'une fois qu'elle est complètement assemblée et inspectée. N'utilisez jamais la découpeuse partiellement assemblée.



Disques de coupe

- **Le capot de protection doit toujours être fermé! Ne changez les disques qu'après avoir éteint le moteur!**
- Il existe deux types de disques de coupes :
 - pour le métal (coupe à chaud);
 - pour la maçonnerie (coupe à froid).

⚠ AVERTISSEMENT :

Ne jamais utiliser de lames à plaquettes de carbure, de lames de scie circulaire ou de lames à couper le bois. Risque de blessure par rebond ou projection de fragments arrachés ou de plaquettes de carbure détachées de la lame. Ne jamais utiliser la tronçonneuse à disque pour travailler le bois ou les matériaux dérivés du bois.

REMARQUE :

Lorsque vous utilisez des disques de coupe en diamant, n'oubliez pas de tenir compte des marques indiquant le sens de la rotation. Les disques en diamant ne doivent être utilisés que pour couper la maçonnerie, la brique ou le béton, entre autres.

- Les disques de coupe ne peuvent supporter qu'une charge radiale; en d'autres mots, on ne peut les utiliser que pour la coupe.
Ne vous servez pas des côtés d'un disque de coupe comme s'il s'agissait d'une meule, car cela le casserait (10)!

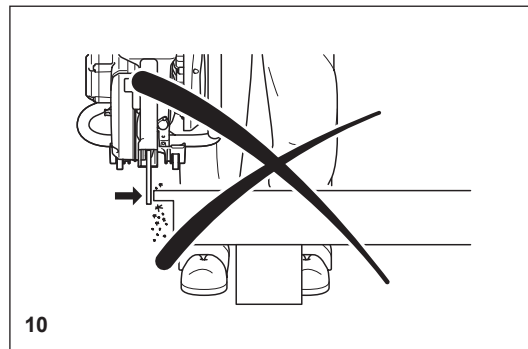
⚠ ATTENTION :

Ne changez jamais la direction de la découpeuse thermique (rayon de virage de moins de 5 m); n'exercez jamais sur elle de pression latérale; ne l'inclinez jamais (11)!

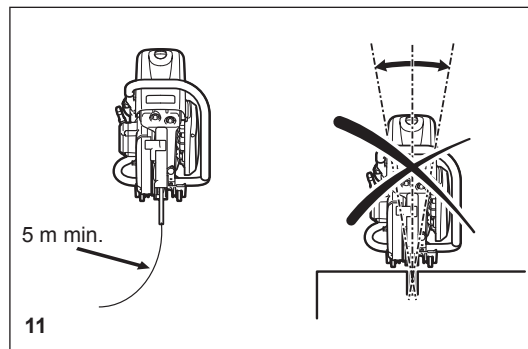
- Utilisez uniquement le disque approprié pour le matériau à couper. La coupe de maçonnerie exige un certain type de disque, tandis que la coupe de métal demande un autre type de disque.
- Le trou d'axe (alésage) du disque de coupe doit correspondre exactement à l'arbre. Si le trou d'axe est plus grand que le diamètre de l'arbre, une bague-entretoise doit être utilisée (accessoires).
- Utilisez uniquement des disques de coupe approuvés par le DSA (comité allemand pour les disques abrasifs) ou une organisation équivalente pour les coupes à main levée allant jusqu'à 4 370 tr/min (vitesse périphérique de 80 m/s) pour les disques de 14 po/355 mm de diamètre, ou jusqu'à 5 100 tr/min (vitesse périphérique de 80 m/s) pour les disques de 12 po/300 mm de diamètre.
- Le disque doit être exempt de défaut (12). N'utilisez pas un disque de coupe défectueux.

Toujours serrer le boulon de fixation du disque à un couple de serrage de 30 N.m. Sinon, le disque de coupe pourrait se tordre.

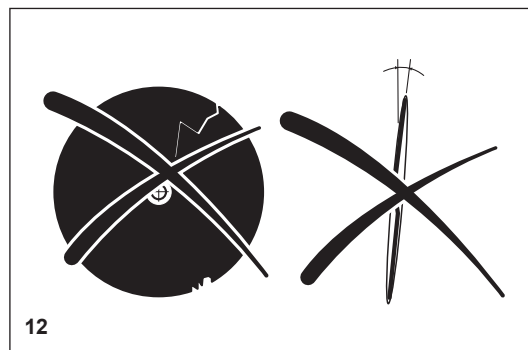
- Avant de démarrer le disque de coupe, assurez-vous que vous êtes dans une position stable.
- Commencez à utiliser l'appareil de la façon décrite dans le présent manuel (13). Placez toujours votre pied gauche dans la poignée arrière et saisissez fermement l'autre poignée (avec le pouce et les doigts). Il n'est pas permis d'utiliser d'autres méthodes pour le démarrage.
- Lors de son démarrage, la découpeuse thermique doit être bien soutenue et solidement maintenue. Le disque de coupe ne doit toucher à rien.
- S'il s'agit d'un nouveau disque de coupe, effectuez-en l'essai en le faisant tourner au moins 60 secondes à la vitesse maximale. Avant d'effectuer ce test, assurez-vous qu'aucune personne ou partie du corps ne se trouvent dans la zone de pivotement étendue du disque, au cas où celui-ci serait défectueux et qu'il se détacherait de l'appareil.
- **Lorsque vous travaillez avec la découpeuse thermique, tenez-la toujours avec les deux mains.** Tenez la poignée arrière avec la main droite et la poignée tubulaire avec la main gauche. Tenez les poignées fermement (les pouces doivent être placés vis-à-vis des doigts).
- **ATTENTION : Lorsque vous relâchez la manette des gaz, le disque continue de tourner pendant un bref moment (effet de roue libre).**
- Vérifiez continuellement si vous êtes dans une position stable.
- Tenez la découpeuse thermique de manière à ne pas inhaler les gaz d'échappement. Ne travaillez pas dans des locaux fermés ou dans des trous ou fossés profonds (risque d'intoxication par les vapeurs).
- **Éteignez la découpeuse thermique immédiatement si vous observez des changements dans son fonctionnement.**
- **Arrêtez le moteur avant d'effectuer les tâches suivantes : vérification et réglage de la tension de la courroie en V, remplacement du disque de coupe, réglage de la position de la lame (positions centrale ou latérale) ou correction des défauts (14).**
- Éteignez immédiatement le moteur et vérifiez le disque si vous entendez quoi que ce soit d'étrange ou si vous sentez que la coupe ne se passe pas de la façon habituelle.
- Éteignez la découpeuse thermique lorsque vous êtes en pause ou que vous cessez de travailler (14). Placez l'appareil de telle façon que le disque ne touche à rien et ne peut mettre personne en danger.
- Ne pas déposer la découpeuse thermique surchauffée sur de l'herbe sèche ou sur des objets inflammables. Le silencieux peut devenir extrêmement chaud (risque d'incendie).
- **IMPORTANT :** Après une coupe à l'eau, coupez d'abord l'alimentation en eau, puis laissez le disque tourner pendant au moins 30 secondes afin d'évacuer l'eau résiduelle et prévenir ainsi la corrosion.



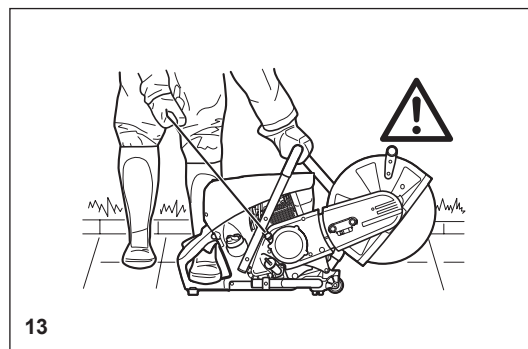
10



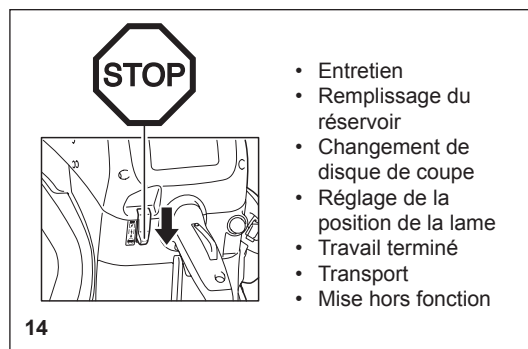
11



12



13



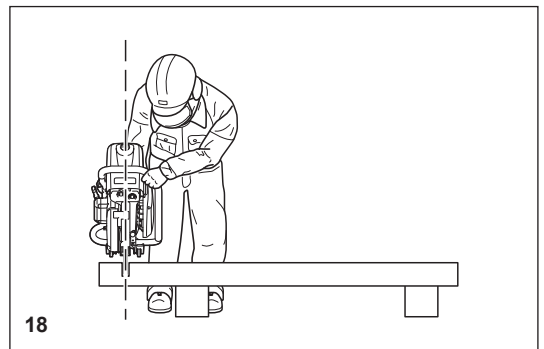
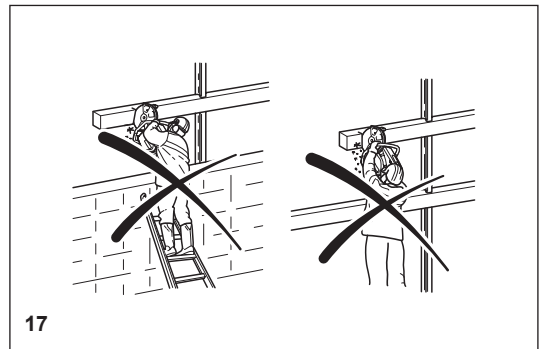
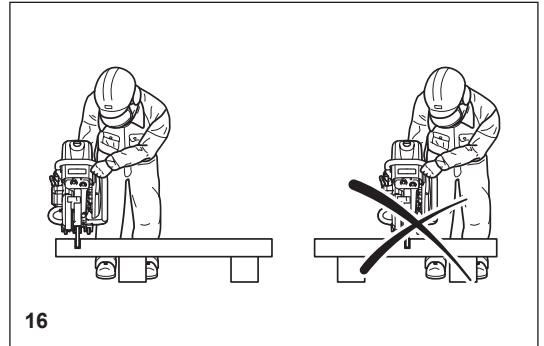
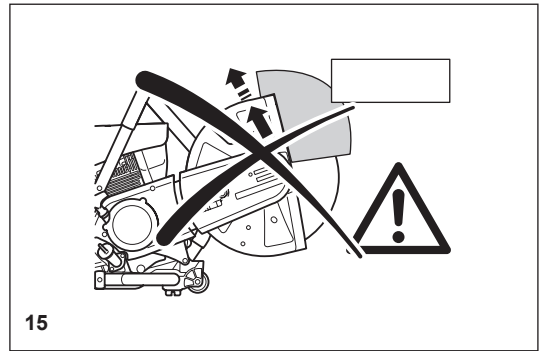
14

Rebonds vers l'arrière, vers l'avant et forces gyroscopiques

- Lorsque vous travaillez avec la découpeuse thermique, il y a risque de rebond.
- Le rebond vers l'arrière se produit lorsque la partie supérieure du disque est utilisée pour la coupe (15).
- La découpeuse thermique se rabat de façon inopinée sur l'utilisateur avec une grande force. **Risque de blessure!**
Pour prévenir les rebonds, suivez les directives suivantes :
- Ne coupez jamais avec la section du disque de coupe illustrée à la figure 15. **Soyez particulièrement prudent lorsque vous réinsérez le disque dans le trait d'une coupe que vous avez déjà commencée!**
- Le rebond vers l'avant se produit lorsque le trait de la coupe rétrécit (en raison d'une fissure ou d'un problème relatif à la contrainte des matériaux).
- La découpeuse thermique se projette de façon inopinée vers l'avant avec une grande force. **Risque de blessure!**
Pour prévenir les rebonds vers l'avant, suivez les directives suivantes :
- Lorsque vous réinsérez le disque dans le trait d'une coupe déjà commencée, faites-le tourner à la vitesse maximale. Effectuez toujours la coupe en conservant la vitesse maximale.
- Assurez-vous que la pièce sur laquelle vous travaillez est soutenue de manière à être tendue (16), de sorte que la coupure ne se referme pas et ne bloque pas le disque pendant la coupe.
- Lorsque vous commencez la coupe, appliquez le disque à la pièce avec précaution.
Ne le poussez pas brusquement dans le matériau.
- Ne coupez jamais plus d'une pièce à la fois! Assurez-vous qu'aucune autre pièce n'entre en contact avec la découpeuse pendant la coupe.
- Il faut tenir compte des forces gyroscopiques lors de la manipulation d'une découpeuse thermique dont le disque composite présente un mouvement de rotation rapide.
- La découpeuse thermique réagira de façon incontrôlée. Des blessures pourraient se produire.
Pour éviter l'apparition de forces gyroscopiques, veuillez prendre note : ne faites pas tourner la machine rapidement autour de son axe longitudinal!

Méthode de travail

- Vérifiez le bon état du disque composite avant et après l'avoir installé sur la machine.
- Avant de commencer, vérifiez la zone de travail pour en repérer tous les éléments dangereux (câbles électriques, substances inflammables). Délimitez de façon claire la zone de travail (par exemple, au moyen de panneaux d'avertissement ou de cordons de sécurité).
- Lorsque vous travaillez avec la découpeuse thermique, tenez-la fermement par les poignées avant et arrière. Ne la laissez jamais sans surveillance!
- Chaque fois que c'est possible, faites tourner la découpeuse thermique au régime nominal de l'arbre (reportez-vous à la section intitulée « Données techniques »).
- N'utilisez la découpeuse thermique qu'en pleine lumière du jour et en de bonnes conditions de visibilité.
Faites attention aux zones glissantes ou humides, ainsi qu'à la glace et à la neige (risque de chute par glissade).
- Si le disque de coupe heurte un objet imprévu, vérifiez immédiatement s'il présente des fissures, distorsions ou un déséquilibre.
- Si le capot de protection présente une fissure ou est brisé, remplacez-le avant de poursuivre l'utilisation.
- Ne travaillez jamais sur des surfaces instables. Assurez-vous qu'il n'y a pas d'obstacles dans la zone de travail sur lesquels vous risquez de trébucher. Maintenez continuellement une position stable.
- N'effectuez jamais de coupe située au-dessus de la hauteur de vos épaules (17).
- N'effectuez jamais de coupe en vous tenant sur une échelle (17).
- N'effectuez jamais de coupe en vous tenant sur un échafaud.
- Ne vous penchez pas trop en avant lorsque vous travaillez. Lorsque vous déposez ou que vous soulevez la découpeuse thermique, ne vous penchez pas à partir de la taille; pliez plutôt les genoux. Faites attention à votre dos!
- Guidez la découpeuse thermique de manière à ce qu'aucune partie de votre corps ne se trouve dans la zone de pivotement étendue du disque (18).
- Utilisez uniquement le disque conçu pour le matériau à couper!
- N'utilisez pas la découpeuse thermique pour soulever et balayer les restes de pièces ou d'autres objets.
Important : Avant d'effectuer la coupe, enlevez tous les objets étrangers (pierres, gravier, clous, etc.) encombrant la zone à couper. De tels objets peuvent être projetés à grande vitesse par le disque. **Risque de blessure!**
- Utilisez un support solide pour couper des pièces dans le sens de la longueur. Au besoin, fixez la pièce de sorte qu'elle ne glisse pas, mais ne la stabilisez pas avec votre pied ou en la faisant tenir par une autre personne.
- Lorsque vous coupez des pièces rondes, fixez-les de sorte qu'elles ne se mettent pas à tourner.
- Lorsque vous guidez la découpeuse à la main, réglez autant que possible la lame en position centrale.
Utilisez la lame en position latérale seulement quand c'est vraiment nécessaire. La position centrale assure un meilleur équilibre et réduit ainsi la fatigue de l'utilisateur.



Coupe des métaux

⚠ IMPORTANT!

Portez toujours un équipement approuvé de protection des voies respiratoires!

La coupe de matériaux pouvant dégager des émanations toxiques ne peut s'effectuer que sous la supervision d'une personne nommée par les autorités compétentes.

⚠ ATTENTION :

La rotation rapide du disque de coupe chauffe le métal et le fait fondre au point de contact. Baissez le garde-main aussi bas que possible derrière l'entaille (19) afin de diriger le jet d'étincelles vers l'avant, loin de vous (risque d'incendie).

- Déterminez la direction de la coupe, marquez la coupe et appliquez-y le disque tournant à vitesse modérée pour creuser une rainure de guidage; puis, augmentez au maximum la vitesse du disque et appliquez plus de pression sur la découpeuse thermique.
- Gardez le disque droit et vertical. Ne l'inclinez pas, car cela pourrait le briser.
- La meilleure façon d'obtenir une bonne coupe nette est de déplacer la découpeuse vers l'avant puis vers l'arrière, en un mouvement alternatif. Vous ne devez pas seulement appuyer le disque contre le matériau.
- Il est préférable de couper les pièces rondes et épaisses en plusieurs étapes (20).
- Les tubes et les tuyaux minces peuvent être coupés en un simple mouvement du disque vers le bas.
- Coupez les tuyaux de grand diamètre comme vous le feriez avec les autres pièces rondes. Pour éviter le basculement et pour un meilleur contrôle, ne laissez pas le disque pénétrer trop profondément dans le matériau. Creusez plutôt une entaille peu profonde tout autour de la pièce.
- Les disques usés ont un diamètre inférieur à celui des nouveaux disques, de sorte que, pour le même régime du moteur, ils auront une vitesse périphérique réelle inférieure et ne couperont pas aussi bien.
- Coupez les poutrelles en I et les barres en L en plusieurs étapes; voir la figure 21.
- Coupez les bandes et les plaques pour creuser comme vous le feriez avec des tuyaux (longue coupe dans le sens de la largeur).
- Lorsque vous coupez des matériaux présentant des problèmes relatifs à leur contrainte (matériaux sur support ou intégrés à des structures), faites une encoche sur le côté contre lequel s'exercera la pression, puis coupez le côté tendu, de sorte que le disque ne se coince pas. **Veillez à ce que les pièces coupées ne tombent pas!**

⚠ ATTENTION :

S'il y a risque relatif à la contrainte du matériau, soyez prêt pour le rebond de la découpeuse. Assurez-vous de pouvoir vous éloigner s'il le faut!

Soyez particulièrement prudent dans les chantiers ou les parcs à ferrailles, ou encore sur les lieux d'un accident, là où se trouvent des tas de matériaux en désordre. Les pièces en équilibre précaire ou soumis à des contraintes peuvent glisser, être projetées, éclater ou mener à d'autres événements imprévisibles. Veillez à ce que les pièces coupées ne tombent pas! Faites toujours preuve d'une extrême prudence, et utilisez uniquement de l'équipement en parfait état de fonctionnement.

Suivez les règles de prévention des accidents de votre employeur ou de votre compagnie d'assurance. Assurez-vous de respecter toutes les lois et réglementations locales et nationales qui s'appliquent.

Coupe de la maçonnerie et du béton

IMPORTANT!

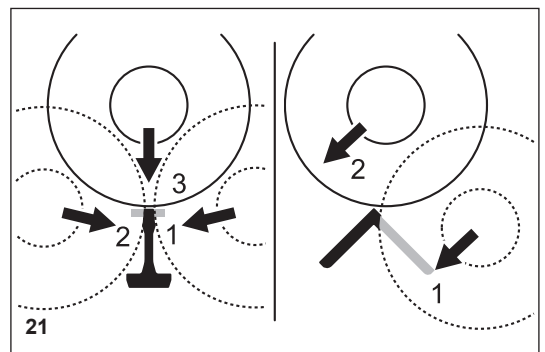
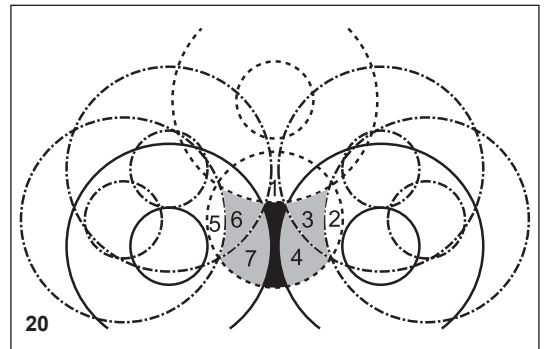
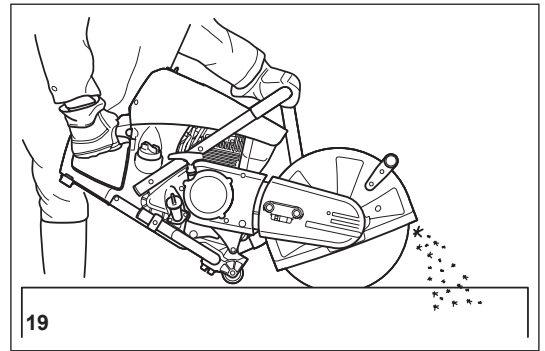
Portez toujours un équipement approuvé de protection des voies respiratoires!

La coupe de matériaux toxiques comme l'amiante ne peut s'effectuer que sous la supervision d'une personne nommée par les autorités compétentes.

Lors de la coupe de béton armé et précontraint, suivez les instructions et respectez les normes de l'autorité responsable ou du constructeur de l'élément de structure. L'on doit couper les tiges de renfort en suivant les étapes prescrites et conformément aux règles de sécurité applicables.

REMARQUE :

Le mortier, la pierre et le béton produisent de grandes quantités de poussières quand ils sont coupés. Pour augmenter la durée de vie du disque de coupe (grâce au refroidissement), pour améliorer la visibilité et pour éviter la production excessive de poussières, nous recommandons fortement la coupe à l'eau plutôt que la coupe à sec.



La coupe à l'eau consiste à mouiller le disque avec des filets d'eau à débit égal des deux côtés. MAKITA propose des accessoires adaptés à tous les types de coupe à l'eau (reportez-vous également à la section « ACCESSOIRES FACULTATIFS »).

- Enlevez tous les objets étrangers (pierres, gravier, clous, etc.) encombrant la zone de travail. **ATTENTION : Faites attention aux fils et câbles électriques!**

La rotation rapide du disque de coupe au point de contact projette à grande vitesse des fragments hors de l'entaille. Pour votre sécurité, baissez le protecteur aussi bas que possible derrière l'entaille (23), afin de diriger la projection de fragments vers l'avant, loin de vous.

- Marquez d'abord la coupure à effectuer, puis creusez une rainure d'environ 5 mm qui vous permettra de guider la découpeuse thermique lorsque vous effectuerez la coupe.

REMARQUE :

Nous vous recommandons d'utiliser un chariot pour les coupures droites et longues (24; reportez-vous également à la section « ACCESSOIRES FACULTATIFS »). Le chariot facilite le guidage de la découpeuse et le découpage d'une ligne bien droite.

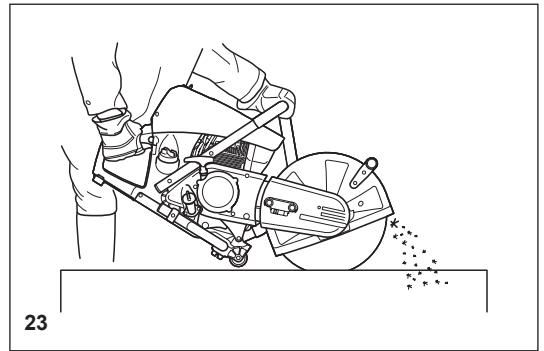
- Effectuez la coupe en déplaçant la découpeuse vers l'avant puis vers l'arrière, en un mouvement alternatif régulier.
- Lorsque vous taillez des dalles, ne coupez pas à travers toute l'épaisseur du matériau (ce qui produit inutilement de la poussière). Creusez simplement un sillon peu profond, puis cassez le matériau excédant sur une surface plane (25).

ATTENTION!

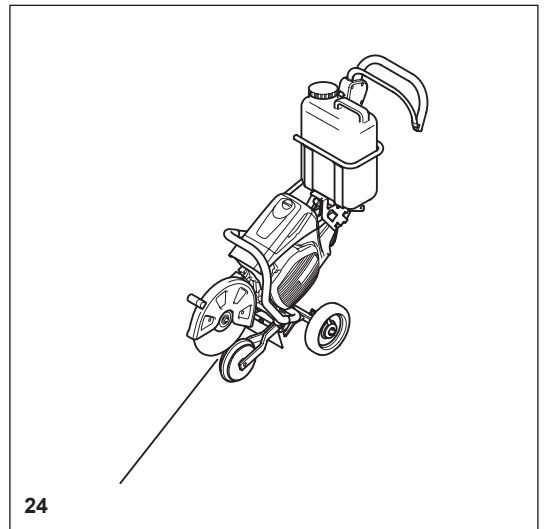
Qu'il s'agisse de coupe en longueur, en largeur ou en suivant des contours, déterminez toujours d'avance la direction et les étapes de la coupe, de sorte que le disque n'aille pas buter contre une pièce tombée et se bloquer, et qu'aucune personne ne soit blessée par des pièces qui tombent.

Transport et entreposage

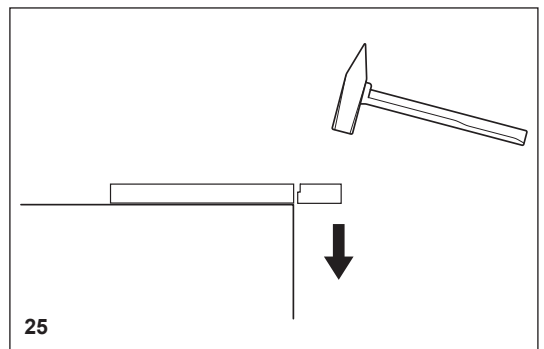
- **Éteignez toujours la découpeuse thermique lorsque vous la transportez d'un endroit à un autre (26).**
- **Ne portez ni déplacez jamais l'appareil pendant que le moteur ou le disque sont en marche!**
- Portez l'appareil par la poignée tubulaire (au milieu) en pointant le disque de coupe vers l'arrière (26). Évitez de toucher au silencieux d'échappement (risque de brûlure!)
- Utilisez une brouette ou un chariot lorsque vous devez déplacer la découpeuse thermique sur une longue distance.
- Si vous transportez la découpeuse thermique dans un véhicule, assurez-vous qu'elle est stable et placée de manière à ce qu'il n'y ait aucune fuite de carburant. Retirez toujours le disque de coupe avant de transporter l'appareil dans un véhicule.
- La découpeuse thermique doit être entreposée de façon sécuritaire dans un endroit sec. Elle ne doit pas être laissée à l'extérieur! Démontez toujours le disque de coupe avant l'entreposage. Gardez la découpeuse thermique hors de la portée des enfants.
- **Avant l'entreposage à long terme ou avant l'expédition de la découpeuse thermique, suivez les instructions données à la section intitulée « Entreposage ». Videz TOUJOURS le réservoir de carburant, et faites tourner le moteur jusqu'à ce que le carburateur soit sec.**
- Lorsque vous entreposez les disques de coupe, assurez-vous :
 - de bien les nettoyer et sécher;
 - de les entreposer à plat;
 - de ne pas les exposer à l'humidité, au gel, aux rayons directs du soleil, aux températures élevées et aux fluctuations de température, car ils pourraient se fissurer ou se briser.
- **Vérifiez toujours les disques de coupe, qu'ils soient nouveaux ou qu'ils aient été entreposés, pour vous assurer qu'ils sont exempts de défauts.**



23



24



25



26

Entretien

- **Avant les travaux d'entretien, arrêtez la découpeuse thermique (27) et retirez l'embout de bougie.**
 - Vérifiez toujours la découpeuse thermique avant de l'utiliser afin de vous assurer qu'elle est en bon état de fonctionnement. Assurez-vous plus particulièrement que le disque de coupe est correctement installé, qu'il n'est pas endommagé et qu'il convient à l'utilisation qui en sera faite.
 - Ne faites fonctionner la découpeuse thermique qu'à des niveaux d'intensité sonore et à des taux d'émission réduits, en vous assurant que le carburateur est correctement réglé.
 - Nettoyez régulièrement la découpeuse thermique.
 - Vérifiez régulièrement l'étanchéité du bouchon du réservoir de carburant.
- Respectez les consignes de prévention des accidents émises par les associations commerciales et les compagnies d'assurance. N'APPORTEZ AUCUNE MODIFICATION à la découpeuse thermique! Vous mettriez votre propre sécurité en danger!**

Effectuez uniquement les travaux d'entretien et de réparation décrits dans le manuel d'instructions. Tous les autres travaux doivent être effectués par MAKITA Service (28).

N'utilisez que les pièces de rechange et les accessoires d'origine MAKITA. L'utilisation de pièces de rechange, d'accessoires ou de disques de coupes non fournis par MAKITA augmente le risque d'accident. MAKITA ne saurait être tenue responsable des accidents ou des dommages liés à l'utilisation de disques de coupe ou d'accessoires provenant d'autres fabricants.

Premiers soins (29)

Assurez-vous qu'une trousse de premiers soins est toujours à proximité. Remplacez sans délai tout article utilisé dans la trousse de premiers soins.

Si vous appelez du secours, veuillez indiquer :

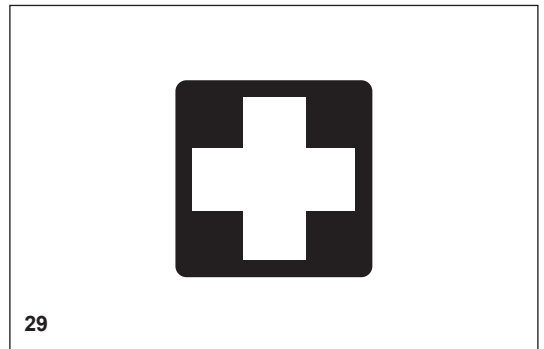
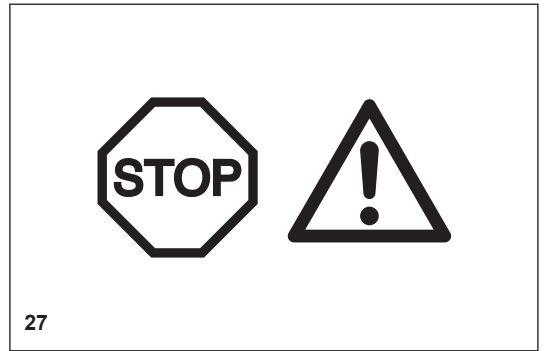
- le lieu de l'accident;
- ce qui s'est passé;
- le nombre de blessés;
- le type de blessure;
- le nom du demandeur.

REMARQUE :

Des détériorations au niveau des vaisseaux sanguins ou du système nerveux peuvent se produire chez des personnes souffrant de troubles circulatoires et trop souvent soumises à des vibrations.

Les symptômes pouvant apparaître à la suite de vibrations au niveau des doigts, des mains ou des articulations sont les suivants : engourdissement des membres, chatouillements, douleurs, points et altération de la peau (notamment, le changement de couleur).

Si ces symptômes apparaissent, consultez un médecin.



Données techniques

Élément		Modèle	EK7650H	EK7651H	EK7651HD
Moteur	Cylindrée	cid (cm ³)	4,61 (75,6)		
	Alésage	po (mm)	2,0 (51)		
	Course	po (mm)	1,5 (37)		
	Puissance max. en fonction du régime	hp (kW) / tr/min	4,1 (3,0) / 7 500		
	Couple max.	N.m	4,6		
	Vitesse de rotation à vide	tr/min	2 600		
	Embrayage		Embrayage centrifuge automatique		
	Régime limite du moteur	tr/min	9 100		
	Régime maximal de la broche	tr/min	4 300		
	Carburateur	type	Carburateur à membrane		
	Système d'allumage (avec limite de vitesse)	type	Système à aimant, sans contact		
	Bougie d'allumage	type	NGK CMR6H		
	Écartement des électrodes	po (mm)	0,02 (0,5)		
	Système de démarrage		Lanceur à rappel automatique		
	Consommation carburant/ puissance max. selon ISO 8893	kg/h	1,2		
	Consommation spéc./puissance max. selon ISO 8893	g/kWh	400		
	Carburant		Essence pour automobile (pétrole)		
	Capacité réservoir carburant	oz liq. (l)	37 (1,1)		
	Lubrifiant (huile à moteur)		Huile API SF ou de classe supérieure, SAE 10W30 (pour moteur à quatre temps)		
	Quantité de lubrifiant	l	0,22		
Disque pour coupe de 80 m/s ou pour une vitesse supérieure ¹⁾ (approuvé par le DSA) : dimensions	po (mm)	12 / 13/16 / 3/16 ²⁾ (300 / 20 / 5)	12 / 1 / 3/16 ²⁾ (300 / 25,4 / 5)	14 / 13/16 / 3/16 ²⁾ (350 / 20 / 5)	14 / 1 / 3/16 ²⁾ (350 / 25,4 / 5)
Intensité sonore à l'oreille de l'utilisateur ³⁾	dB (A)	93,2			
Intensité sonore à 15 mètres ³⁾	dB (A)	73,6			
Valeur totale de vibration a _{nv} selon ANSI B175.4					
- Poignée avant (régime nominal de la broche)	m/s ²	2,9			
- Poignée arrière (régime nominal de la broche)	m/s ²	2,4			
Diamètre du trou	po (mm)	13/16 (20)	1 (25,4)	13/16 (20)	1 (25,4)
Diamètre de la broche	po (mm)	11/16 (17)		13/16 (20)	1 (25,4)
Diamètre minimum de la bride	po (mm)	4,02 (102)			
Profondeur de coupe max.	po (mm)	3-13/16 (97)		4-13/16 (122)	
Dimensions de la découpeuse thermique (longueur x largeur x hauteur, hors tout)	po (mm)	30" (761 mm) x 12-1/4" (310 mm) x 17-1/8" (435 mm)		30-3/4" (780 mm) x 12-1/4" (310 mm) x 17-7/8" (455 mm)	
No de courroie en V	no	225094-6			
Poids hors tout (réservoirs vides et sans disque de coupe)	lb (kg)	27,9 (12,7)		28,3 (12,9)	

1) Vitesse périphérique au régime max. du moteur

2) Diamètre extérieur/trou/épaisseur maximale permise des disques composites

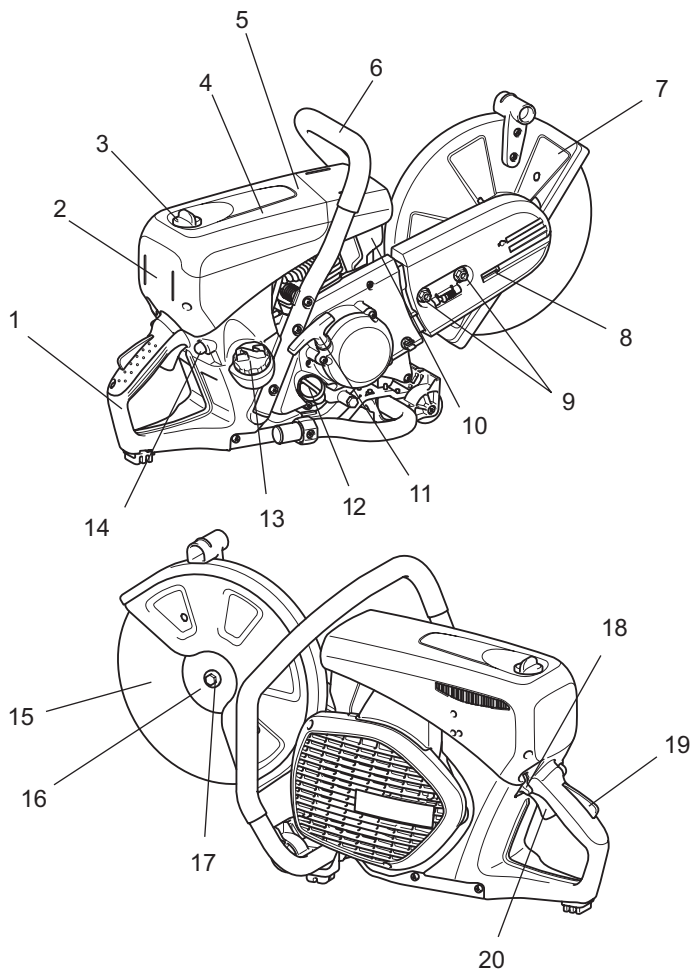
3) Selon l'essai exigé par UL (essai à pleine charge, coupe de béton)

(Pour le Canada)

NOTE : Ce système d'allumage par étincelle de véhicule est conforme à la norme NMB-002 du Canada.

Désignation des pièces

1. Poignée arrière
2. Couvercle de filtre
3. Pièce de verrouillage
4. Couvercle supérieur (filtre à air et embout de bougie)
5. Couvercle supérieur
6. Poignée avant
7. Capot de protection
8. Vis de tension
9. Écrou hexagonal
10. Silencieux
11. Poignée du lanceur
12. Bouchon du réservoir d'huile
13. Bouchon du réservoir de carburant
14. Pompe à carburant (amorce)
15. Disque de coupe
16. Bride extérieure
17. Boulon hexagonal
18. Interrupteur
19. Bouton de verrouillage de sécurité
20. Manette des gaz





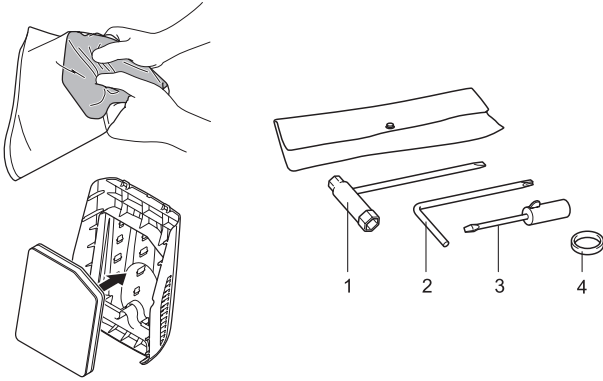
UTILISATION DE L'APPAREIL

⚠ ATTENTION :

Pour tout travail effectué sur la découpeuse thermique, il est impératif de couper le moteur, de retirer l'embout de la bougie et de porter des gants de protection!

⚠ ATTENTION :

Ne démarrez la découpeuse thermique qu'une fois qu'elle est complètement assemblée et inspectée.



Veillez utiliser les outils fournis suivants pour les travaux :

1. Clé mixte 13/16 AF
2. Clé à tête en forme d'étoile
3. Tournevis de réglage du carburateur
4. Bague d'adaptation (non comprise, selon le diamètre de la broche) : Si le diamètre de la broche ne convient pas au trou du disque de coupe, placez la bague d'adaptation entre la broche et le trou.

Placez la découpeuse thermique sur une surface stable et suivez les étapes suivantes pour l'assemblage :

⚠ Aucun filtre à air n'est installé!

Avant de procéder à l'installation, appuyez plusieurs fois sur le filtre fourni afin de répartir l'huile de façon homogène sur ce dernier. Insérez un filtre en mousse (préfiltre) huilé, comme l'indique le schéma ci-contre! Pour effectuer cette opération, retirez préalablement le couvercle du filtre (veuillez consulter la section Nettoyage et remplacement du filtre à air).

Installation du disque de coupe

⚠ AVERTISSEMENT :

- Vérifiez le bon état du disque composite avant et après l'avoir installé sur la machine.
- Lorsque vous installez un disque de coupe en diamant, veillez à ce que la flèche soit dans le sens de la rotation de la bride extérieure (6). Si le disque (4) était installé dans l'autre sens, sa tranche pourrait se fragmenter et entraîner des blessures.
- Lorsque vous installez un disque de coupe (4), utilisez toujours la bague qui correspond au trou du disque de coupe et au diamètre de la broche (5). L'utilisation de bagues inadéquates peut provoquer des vibrations de l'outil et causer des blessures graves.
- N'utilisez que des disques de coupe dont le trou correspond au diamètre des bagues fournies. L'utilisation de disques inadéquats peut provoquer des vibrations de l'outil et causer des blessures graves.
- Vérifiez que le disque de coupe n'est pas endommagé (reportez-vous à la section intitulée « Disques de coupe » dans MESURES DE SÉCURITÉ).

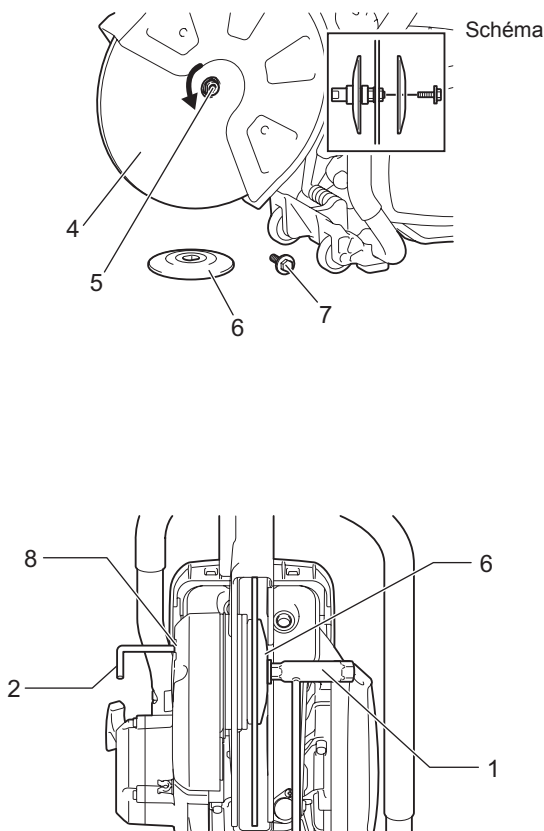
1. Insérez la clé en forme d'étoile (2) dans le trou (8) afin d'empêcher la broche (5) de tourner.

REMARQUE : Si la monture du dispositif d'eau sous pression est installée dans le trou de l'outil, retirez-la avant d'installer le disque de coupe.

2. Tout en maintenant la clé (2) en position, utilisez la clé mixte (1) fournie et dévissez le boulon de fixation (7) du disque (sens contraire des aiguilles d'une montre); retirez ce boulon (7) et la bride extérieure (6).
3. Installez un disque de diamant ou un disque de coupe abrasif (4) sur l'arbre (5). Puis, installez la bride extérieure (6) sur la broche de sorte que les deux surfaces planes parallèles de la bride extérieure s'adaptent à la surface plate de la broche; serrez fermement le boulon dans le sens des aiguilles d'une montre.

Pour installer un disque de coupe, placez une bague ayant le même diamètre que le trou de disque correspondant, et le joint torique fourni pour retenir la bague de la broche avant d'installer un disque de coupe en diamant. Puis, installez le disque de coupe.

REMARQUE : Serrez fermement le boulon hexagonal (25 à 31 N.m), sinon le disque risque de glisser pendant la coupe.



Vérification et réglage de la courroie en V

IMPORTANT :

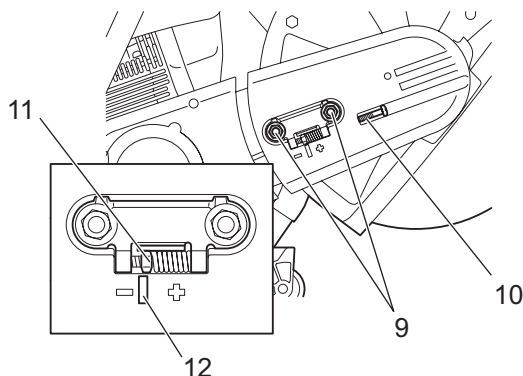
Une tension appropriée de la courroie est essentielle pour obtenir la performance de coupe maximale avec une consommation minimale. Une mauvaise tension entraînera l'usure prématurée de la courroie et de la roue de courroie, ainsi que des dommages à la butée d'embrayage.



REMARQUE : Les deux écrous hexagonaux (9) doivent être desserrés avant la vérification ou le réglage de la tension de la courroie en V.

Pour augmenter la tension de la courroie, tournez la vis de tension (10) vers la droite (dans le sens des aiguilles d'une montre) en utilisant la clé mixte fournie avec la découpeuse thermique.

La tension de la courroie est réglée correctement lorsque l'écrou (11) est placé comme indiqué sur la figure par rapport à la position du marquage (12).



IMPORTANT :

- Après la vérification et le réglage, veillez à bien serrer l'écrou hexagonal (9) (25 à 31 N.m).
- Ne réglez pas la tension de la courroie en V si l'outil est chaud. Vous risqueriez de subir des brûlures.

Avant l'utilisation

1. Vérification et remplissage de l'huile pour moteur

- Le moteur bien refroidi, vérifiez l'huile pour moteur et ajoutez-en de la façon suivante.
 - Déposez le moteur sur une surface plane, et vérifiez si l'huile est entre MAX et MIN dans le réservoir.
 - S'il n'y a pas assez d'huile (près de la marque MIN du réservoir), remplissez le réservoir d'huile jusqu'à la marque MAX.
 - L'on peut vérifier la quantité d'huile sans enlever le bouchon du réservoir : une fenêtre graduée située à l'extérieur permet de voir le niveau.
 - En général, l'on doit ajouter de l'huile après dix heures d'utilisation (un réservoir d'huile pour dix remplissages de carburant).
 - Remplacez l'huile extrêmement sale et décolorée.
- <Huile recommandée> ... Huile API SF ou de classe supérieure, SAE 10W-30 (pour moteur à quatre temps)
- <Quantité d'huile> 0,22 L (220 mL)

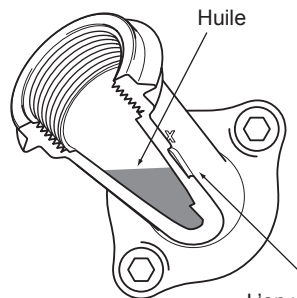
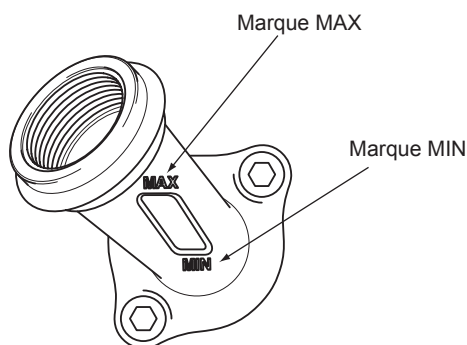
REMARQUE :

- Quand le moteur n'est pas rangé en position verticale, l'huile circule à travers lui, ce qui signifie que la découpeuse thermique contiendra une quantité excessive d'huile lorsqu'on aura rempli le réservoir.
- Si l'huile dépasse la marque MAX, elle pourrait s'écouler, ce qui entraînerait des salissures ou un dégagement de fumée blanche.

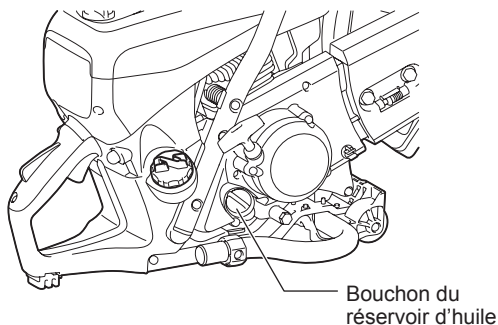
Remplissage du réservoir d'huile, Point 1 <Bouchon du réservoir d'huile>

Intervalle entre les remplissages : Au départ, après 20 heures d'utilisation, puis à toutes les 30 heures d'utilisation.

- Enlevez la saleté autour du collet de remplissage, puis retirez le bouchon du réservoir d'huile.
- Placez le bouchon sur une surface propre, sans sable ni saleté. Un bouchon sale pourrait entraîner une mauvaise circulation de l'huile, l'usure des pièces du moteur et, finalement, des pannes.



L'on voit ici le niveau d'huile; les marques MAX et MIN permettent d'en vérifier la quantité.



- (1) Placez le moteur sur une surface plane, puis retirez le bouchon du réservoir d'huile.
- (2) Remplir d'huile le réservoir jusqu'au bas du collet de remplissage.
L'huile que vous utilisez doit provenir d'un contenant approprié.
- (3) Serrez fermement le bouchon du réservoir d'huile. Sinon, l'huile pourrait fuir.

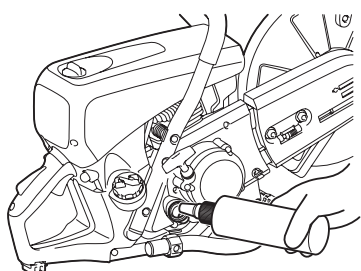
Remplissage du réservoir d'huile, Point 2 <Que faire s'il y a déversement d'huile?>

Si de l'huile s'est déversée entre le réservoir de carburant et moteur, et que vous utilisez la découpeuse thermique, l'huile sera aspirée par l'entrée d'air froid, ce qui peut entraîner des salissures. Essayez toujours l'huile déversée avant d'utiliser la découpeuse thermique.

2. Remplissage du réservoir de carburant

⚠ AVERTISSEMENT :

- **Suivez toujours les consignes suivantes avant de remplir le réservoir de carburant. Autrement, il y a risque d'incendie.**
 - Tenez-vous loin des flammes lorsque vous effectuez le remplissage. Ne fumez pas; ne tenez jamais un objet enflammé à proximité du carburant ou de la découpeuse thermique pendant le remplissage.
 - Coupez le moteur et laissez-le refroidir avant le remplissage.
 - Ouvrez toujours lentement le bouchon du réservoir de carburant afin que la pression interne se relâche graduellement. Autrement, du carburant pourrait jaillir du trou.
 - Veillez à ce qu'il n'y ait pas de déversement de carburant. Essayez les déversements de carburant.
 - Effectuez le remplissage en un endroit bien aéré.
- **Faites toujours preuve de prudence en présence de carburant.**
 - S'il entre en contact avec la peau ou les yeux, le carburant peut provoquer une réaction allergique ou une inflammation, et l'on doit en ce cas faire immédiatement appel à un médecin spécialisé en la matière.



<Période d'entreposage du carburant>

Les règles sont les suivantes : le carburant doit se trouver dans un réservoir propre, en un endroit ombragé et bien aéré. Il doit être utilisé avant quatre semaines. Si le carburant est stocké dans un réservoir inadéquat, ou si le bouchon du réservoir est mal vissé, le carburant peut se détériorer en un jour, d'autant plus en saison estivale.

Entreposage de la découpeuse thermique et du réservoir de carburant

- Ranger la découpeuse thermique et le réservoir de carburant en un endroit frais, à l'abri du soleil.
- Ne laissez pas la découpeuse remplie de carburant ou le réservoir de carburant dans un véhicule ou le coffre d'un véhicule.

<Carburant>

La découpeuse est dotée d'un moteur à quatre temps; vous devez donc utiliser de l'essence pour automobile.

Consignes sur le carburant

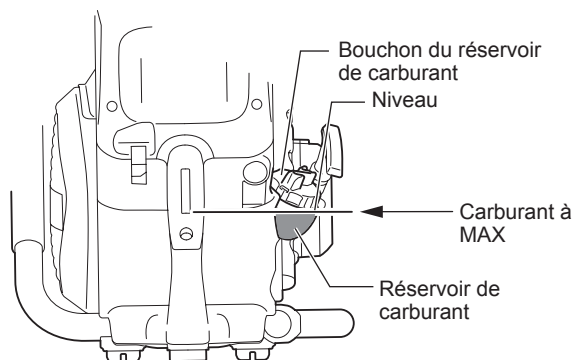
- Ne mélangez pas le carburant avec de l'huile pour moteur. Cela pourrait entraîner une accumulation de carbone et la défaillance mécanique.
- L'utilisation de vieux carburant pourrait provoquer des problèmes de démarrage.

<Remplissage du réservoir de carburant>

Coupez toujours le moteur et laissez-le refroidir avant le remplissage.

<Essence à utiliser> Essence pour automobile (pétrole)

- Desserrez un peu le bouchon du réservoir pour relâcher la pression et, donc, équilibrer la pression de l'air extérieur et intérieur.
- Retirez le bouchon du réservoir de carburant, puis effectuez le remplissage. (Ne remplissez pas jusqu'en haut du collet du réservoir.)
- Après le remplissage, serrez fermement le bouchon du réservoir de carburant.
- L'on peut se procurer un bouchon de rechange pour le réservoir de carburant. Par conséquent, si ce bouchon est endommagé ou usé, remplacez-le (tous les deux ou trois ans).



Utilisation

Démarrage

⚠ AVERTISSEMENT :

Ne démarrez pas le moteur en un endroit où a eu lieu le remplissage d'un réservoir de carburant. Éloignez-vous d'au moins trois mètres de l'endroit où a été rempli le réservoir de carburant de la découpeuse thermique.

- Autrement, il y a risque d'incendie.


⚠ ATTENTION :

Avant de démarrer le moteur, assurez-vous que le disque de coupe ne touche ni le sol, ni aucun autre obstacle.

- Un accident peut survenir si vous démarrez le moteur alors que le disque de coupe est en contact avec le sol ou un objet quelconque.

Sachez que le disque de coupe commence à tourner dès la mise en marche du moteur et éloignez les personnes et les objets qui se trouvent à proximité.

1. Démarrage à froid

- (1) Appuyez à répétition sur la pompe d'amorçage jusqu'à ce que du carburant y pénètre.
- (2) Placez le commutateur en position  (étranglement).
- (3) Immobilisez la poignée arrière avec le pied et tenez fermement la poignée tubulaire d'une main.
- (4) Tirez à plusieurs reprises la poignée de démarrage avec vigueur jusqu'à ce que vous entendiez l'allumage.

Réchauffement

- Après avoir démarré le moteur, tenez le levier de sécurité et appuyez sur la manette des gaz, puis relâchez-la. Répétez l'opération pendant une à deux minutes pour réchauffer le moteur.
- Le moteur est réchauffé quand il passe en douceur de la basse à la haute vitesse.

2. Démarrage à chaud


Appuyez à plusieurs reprises sur la pompe d'amorçage. Placez l'interrupteur à la position [I] (fonctionnement), puis démarrez le moteur selon les directives commençant à l'étape 3 de la procédure 1 ci-dessus.

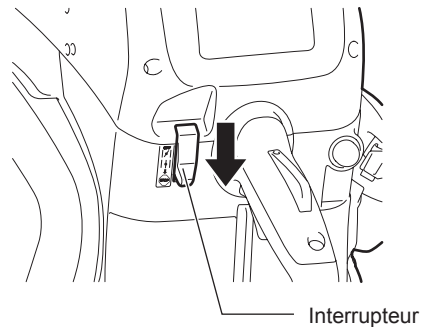
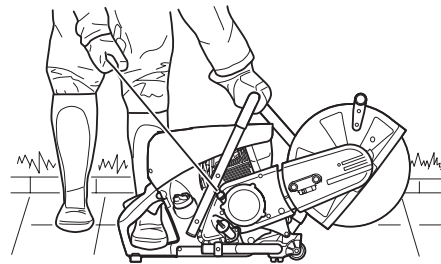
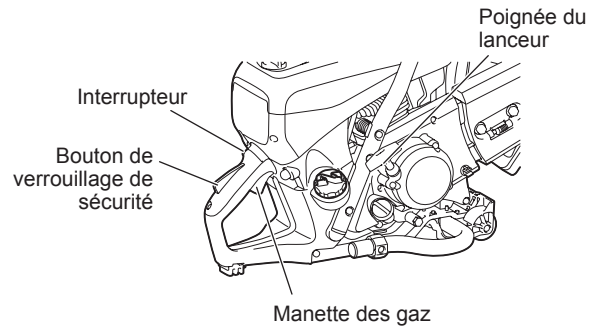
REMARQUE :

- Si vous tirez et relâchez la poignée du lanceur trop souvent alors que l'interrupteur est à la position d'étranglement, vous risquez de noyer le moteur.
- N'appuyez jamais sur la manette des gaz après que le moteur s'est arrêté, car vous risquez de le noyer.
- Si vous noyez le moteur, retirez la bougie d'allumage et tirez lentement et à plusieurs reprises sur le lanceur pour éliminer l'excès de carburant. Vous pouvez aussi sécher l'électrode de la bougie d'allumage.
- Ne tirez pas sur le lanceur jusqu'à l'extrémité de la corde, car celle-ci s'usera prématurément. De même, ne relâchez pas la corde brusquement; allez-y en douceur.
- Ne faites pas tourner à vide, à la vitesse maximale, le moteur de la découpeuse thermique, car vous l'userez prématurément.

3. Arrêt

Pour arrêter le moteur, relâchez la manette des gaz et placez l'interrupteur à la position  (Arrêt).

Si le levier d'étrangleur est déplacé par erreur sur la position  et que l'outil s'arrête, appuyez sur la manette des gaz jusqu'à mi-course pour redémarrer.



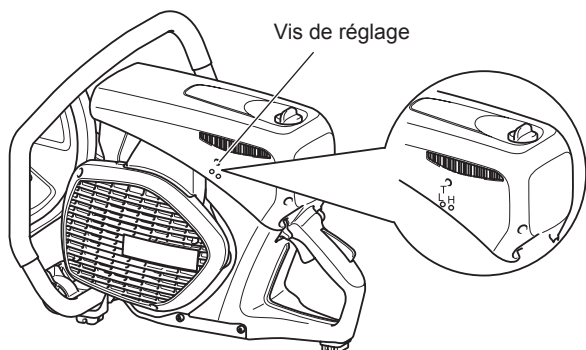
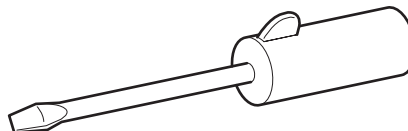
Réglage du carburateur



REMARQUE : Le moteur est muni d'un allumage électronique à limitation de vitesse. Le carburateur est muni d'un gicleur fixe qui ne peut être ajusté. La vitesse de rotation à vide du moteur a été réglée en usine à environ 2 600 tours par minute. Le rodage d'un nouveau moteur peut toutefois nécessiter certains ajustements.

Réglez la vitesse de rotation à vide à l'aide d'un tournevis à lame de 4 mm.

Le tournevis à saillie moulée, offert en option, facilitera le réglage.



4. Réglage de la rotation à vide

ATTENTION : Le réglage du carburateur ne doit être effectué que par un centre de services MAKITA spécialisé!

Ne changez pas la position des vis (H) et (L) sans utiliser un tachymètre, car vous pourriez endommager le moteur!

Il vous faut un tachymètre pour éviter de régler le moteur à une vitesse de rotation supérieure à sa vitesse nominale, ce qui pourrait provoquer une surchauffe, un manque de lubrifiant et, à terme, des dommages au moteur.

L'utilisateur ne doit manipuler que les vis de réglage (T).

Si le disque de coupe se déplace quand la découpeuse est arrêtée (c'est-à-dire sans que vous appuyiez sur la manette des gaz), vous devez absolument changer la vitesse de rotation à vide!

Ne réglez la vitesse de rotation à vide que lorsque le moteur est réchauffé et le filtre à air est propre.

Utilisez un tournevis à lame de 4 mm.

ENTRETIEN

⚠ ATTENTION :

- Avant d'entreprendre l'entretien de la découpeuse thermique, arrêtez le moteur et laissez-le refroidir, puis retirez le disque de coupe et l'embout de la bougie d'allumage, et portez des gants de protection!

Si vous amorcez l'entretien d'une découpeuse dont le moteur est chaud ou dont l'embout est toujours sur la bougie d'allumage, vous risquez de vous brûler ou d'être blessé par le démarrage inopiné du moteur.

- Ne démarrez la découpeuse thermique qu'une fois qu'elle est complètement assemblée et inspectée.
- N'utilisez jamais d'essence, de benzine, de solvant, d'alcool ou tout autre produit similaire. Cela pourrait provoquer une décoloration, une déformation ou la formation de fissures.

REMARQUE :

- Nettoyez d'abord l'extérieur de la découpeuse thermique, puis installez-vous dans un endroit propre pour en faire l'entretien.





SERVICE

IMPORTANT :

En plus de l'entretien mentionné dans le présent manuel d'instructions, il est important pour votre propre sécurité de faire inspecter et entretenir régulièrement l'outil dans un centre de services MAKITA, car un grand nombre de pièces importantes qui ne sont pas mentionnées ici s'useront également au fil du temps.

IMPORTANT :



Si le disque se brise durant une coupe, ne réparez pas vous-même la découpeuse thermique; apportez-la plutôt dans un centre de services MAKITA.

Courroie en V

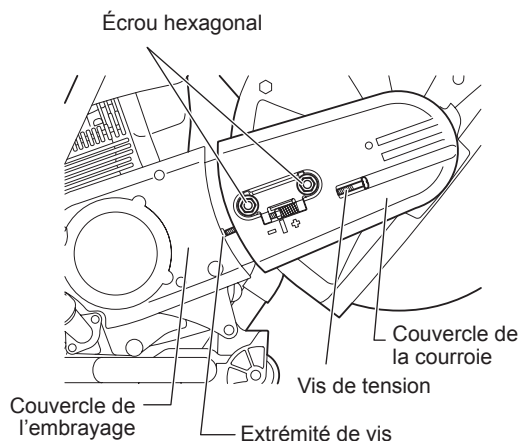
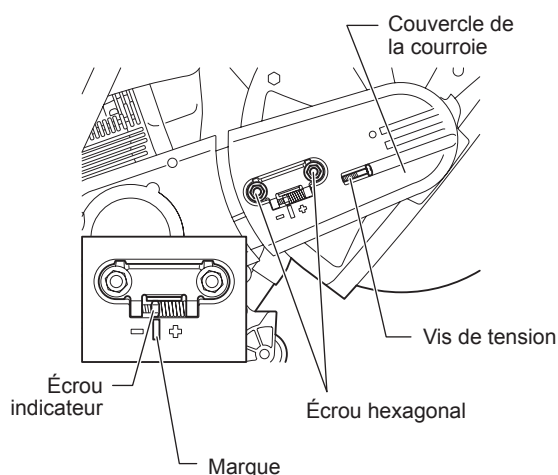
1. Réglage de la tension de la courroie en V

• Si le disque de coupe s'arrête en cours d'utilisation, c'est que la courroie en V est trop lâche. Réglez alors la tension de la façon suivante :

- (1) Desserrez les écrous du couvercle de la courroie.
 - (2) Pour augmenter la tension de la courroie, tournez la vis de réglage de la tension dans le sens des aiguilles d'une montre (vers la droite) jusqu'à ce que l'écrou indicateur atteigne la position marquée à cette fin.
 - (3) Quand vous avez terminé, resserrez fermement les écrous du couvercle de la courroie.
- Si le disque de coupe s'arrête souvent, même après avoir réglé la tension de la courroie en V, remplacez la courroie.

2. Remplacement de la courroie en V

- (1) Desserrez l'écrou de serrage, puis tournez la vis de réglage de la tension dans le sens inverse des aiguilles d'une montre (vers la gauche) jusqu'à ce que vous voyiez l'extrémité de la vis.
- (2) Retirez les écrous du couvercle de la courroie, puis retirez le couvercle.
- (3) Retirez ensuite les trois vis de montage et le couvercle de l'embrayage.
- (4) Retirez la courroie en V et installez-en une nouvelle. Remplacez le couvercle de l'embrayage et le couvercle de la courroie.
- (5) Réglez la tension de la courroie selon les directives de la section précédente.



Nettoyage du capot de protection

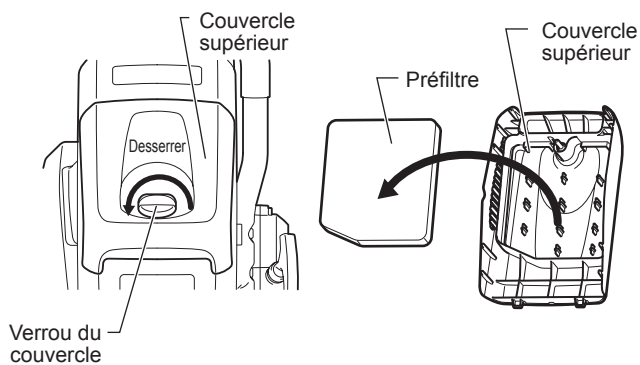
Au fil du temps, des résidus peuvent s'incruster sur la paroi intérieure du capot de protection, surtout quand vous faites des coupes à l'eau. Si vous les laissez s'accumuler, ces résidus peuvent entraver la rotation du disque. Voilà pourquoi il faut nettoyer le capot de protection de temps en temps.

Retirez le disque de coupe, puis enlevez les résidus accumulés sur la paroi intérieure du capot au moyen d'une bande de bois ou d'un objet semblable.

Nettoyez l'arbre et toutes les pièces démontées à l'aide d'un chiffon.

REMARQUE : Réinstallez le disque de coupe en suivant les instructions de la section « Installation du disque de coupe ».

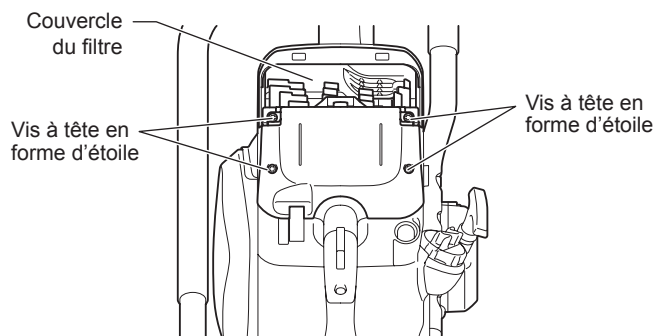
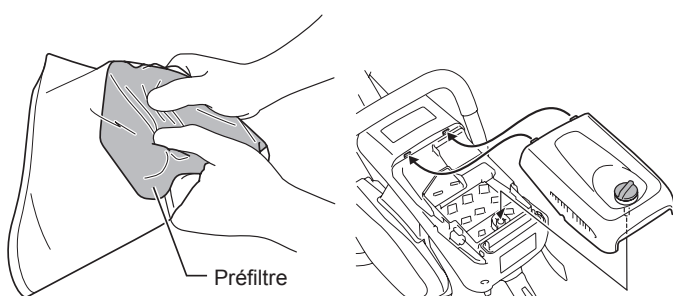




Nettoyage et remplacement du filtre à air

Un filtre à air obstrué nuit au rendement du moteur. Pour cette raison, nettoyez le filtre à air de la découpeuse thermique après chaque utilisation, de la façon suivante :

- Tournez le verrou du couvercle vers la gauche et retirez-le.
- Enlevez la poussière qui s'est déposée sur le couvercle supérieur, puis retirez le couvercle.
- Retirez ensuite le préfiltre.
- Lavez le préfiltre à l'aide de détergent dilué dans l'eau et faites-le sécher complètement. Lors du nettoyage, ne pressez et ne frottez pas le préfiltre.
- Appliquez 40 ml d'huile neuve pour moteur à deux temps/ quatre temps sur le préfiltre, prenez-le doucement pour disperser également l'huile.
- Placez fermement le préfiltre sur le couvercle supérieur.
- En alignant la dent du couvercle supérieur avec sa contre-partie sur le boîtier, serrez le verrou du couvercle.

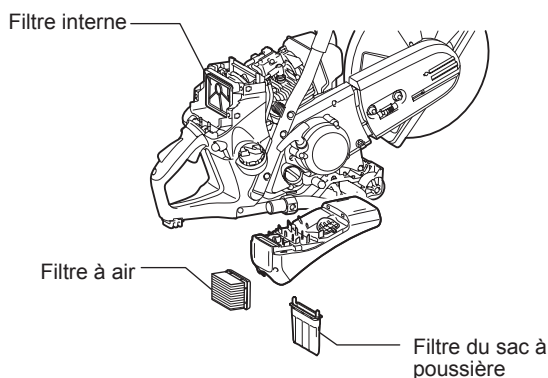


En plus du nettoyage décrit ci-dessus, réalisez les opérations suivantes en suivant les intervalles indiqués dans le « Tableau d'entretien préventif ».

- Retirez les quatre vis à tête en forme d'étoile.
- Retirez le couvercle du filtre.
- Retirez le filtre à air.
- Retirez le filtre du sac à poussière du couvercle du filtre, tapez dessus doucement et nettoyez-le par soufflage.
- Tapez doucement et soufflez sur le filtre interne pour en retirer la poussière et la saleté. Lavez ce filtre régulièrement en le plongeant dans l'eau savonneuse, puis en le séchant complètement.
- Pour nettoyer le filtre à air, tapez dessus doucement. Si vous utilisez un compresseur d'air, soufflez l'air à l'intérieur du filtre à air. Ne lavez pas le filtre à air.
- Éliminez par soufflage la poussière qui s'est déposée autour des filtres.
- Réinstallez le filtre à air sur le couvercle du filtre après le nettoyage. Placez d'abord le filtre à air sur le couvercle du filtre lorsque vous mettez le couvercle du filtre en place.
- Serrez fermement le verrou du couvercle.

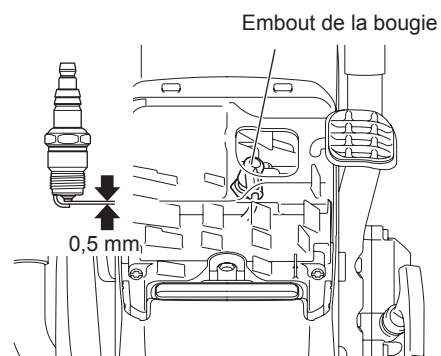
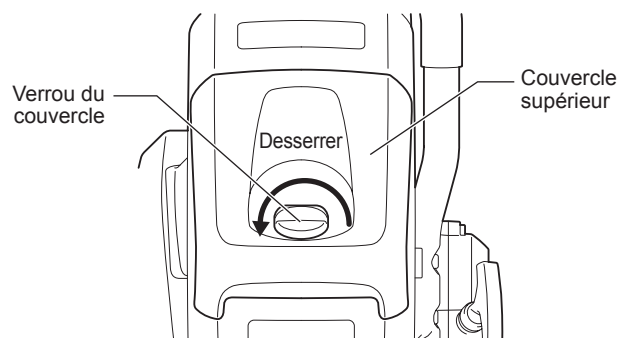
Avis :

- Ne lavez pas le filtre à air avec de l'eau.
- Les filtres usés ou endommagés doivent être remplacés.
- N'utilisez pas d'essence, de benzine, de solvant, d'alcool ni de produits similaires pour laver les filtres.



Entretien de la bougie d'allumage

- (1) Desserrez le verrou du couvercle supérieur, puis retirez le couvercle.
- (2) Ouvrez le couvercle de la bougie, puis retirez l'embout de la bougie et la bougie même.
- (3) Vérifiez si l'écartement des électrodes est toujours de 0,5 mm. Si ce n'est pas le cas, réglez-le à 0,5 mm.
- (4) Si du carbone ou de la saleté s'est incrusté sur la bougie, nettoyez-la avant de la remettre en place. Remplacez la bougie si elle est brûlée ou trop usée.
- (5) Remettez la bougie d'allumage en place, couvrez-la de son embout et refermez le couvercle de la bougie.



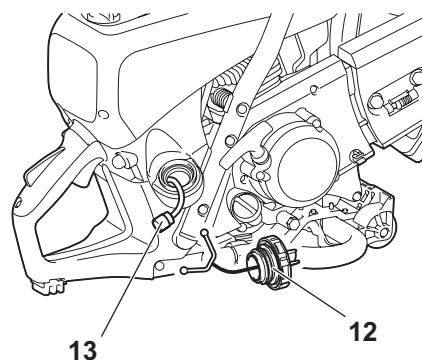
Remplacement de la crépine d'aspiration

Le filtre à carburant (13) de la crépine d'aspiration peut se boucher avec le temps. Remplacez la crépine tous les trois mois pour assurer l'écoulement libre du carburant vers le carburateur. Dévissez le bouchon du réservoir de carburant (12) et retirez l'élément de prévention de la perte.

Videz le réservoir de carburant.

Pour retirer la crépine d'aspiration, utilisez un fil rigide plié à une extrémité pour former un crochet, puis tirez la crépine à travers le collet du réservoir.

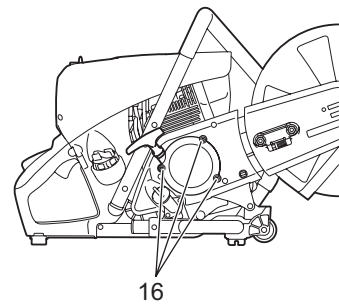
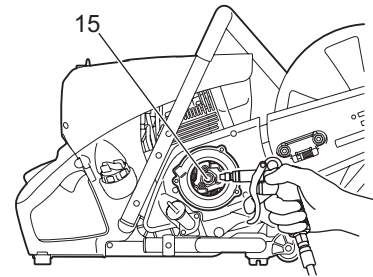
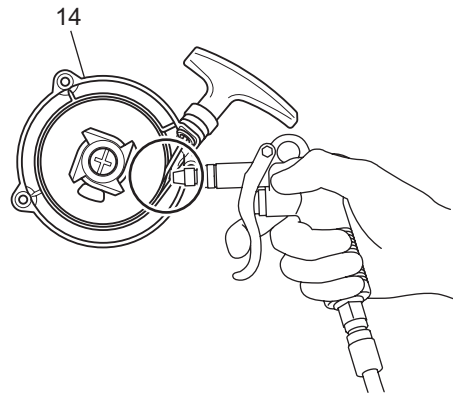
⚠ ATTENTION : Évitez tout contact du carburant avec la peau!



Nettoyage du lanceur

Lorsque le lanceur ne fonctionne pas correctement, par exemple si la courroie du lanceur ne se remet pas en position initiale, il est nécessaire d'ôter la poussière du lanceur (14) et de l'embrayage (15).

Pour nettoyer le lanceur et l'embrayage, retirez trois vis (16) pour y accéder.



Montage

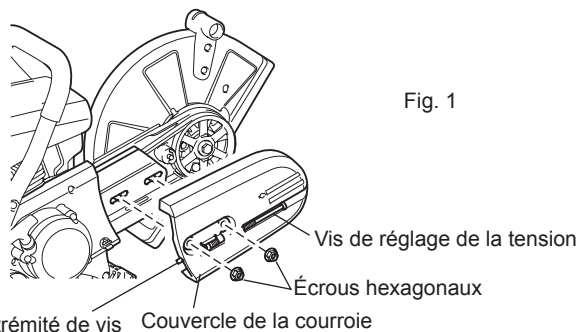
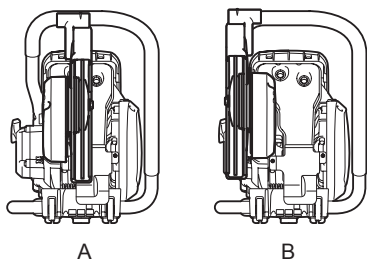


Fig. 1

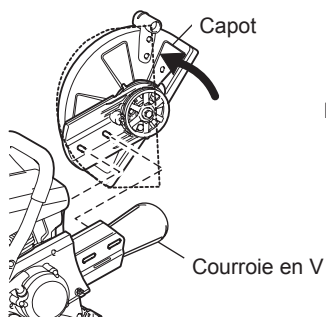


Fig. 2

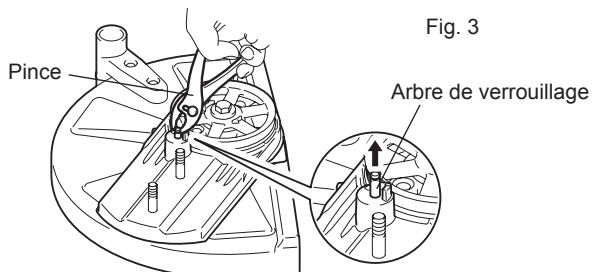


Fig. 3

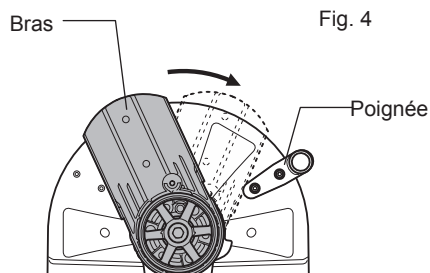


Fig. 4

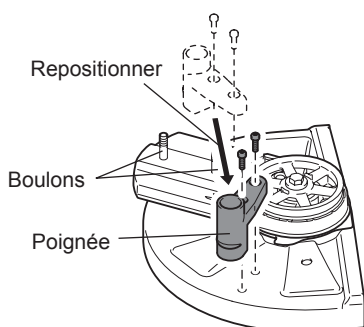


Fig. 5

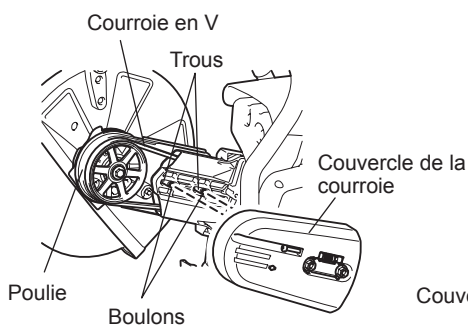


Fig. 6

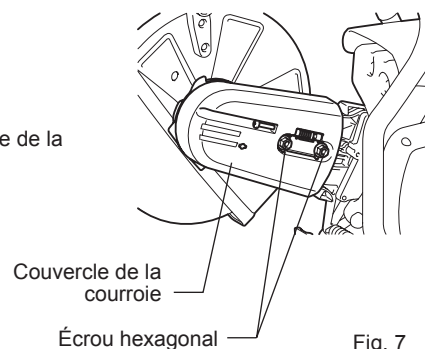


Fig. 7

Changement de la position de la lame (centrale/latérale)

Montage du dispositif de coupe

- Le dispositif de coupe de la découpeuse thermique est monté au centre, comme dans la Fig. A. Vous pouvez aussi le monter latéralement, comme dans la Fig. B.

Montage B

- Desserrez l'écrou de serrage, puis tournez la vis de réglage de la tension dans le sens inverse des aiguilles d'une montre (vers la gauche) jusqu'à ce que vous voyiez l'extrémité de la vis. (Fig. 1)
- Retirez les écrous du couvercle de la courroie, puis retirez le couvercle. (Fig. 1)
- Faites pivoter le capot en position asymétrique. Retirez la courroie en V, puis le dispositif de coupe. Remplacez la poignée. (Fig. 2)
- Retirez l'arbre de verrouillage à l'aide d'un tournevis pour écrous à fente ou d'une pince. (Fig. 3)
- Faites pivoter le bras jusqu'à ce qu'il touche la poignée, puis remplacez manuellement l'arbre de verrouillage à sa position initiale. (Fig. 4)
- Remplacez la poignée. (Fig. 5)
- Retournez le dispositif de coupe que vous avez retiré, faites passer les boulons dans les trous, puis réinstallez le dispositif en position B. Remontez ensuite la courroie en V sur la poulie. (Fig. 6)
- Remplacez le couvercle de la courroie. (Fig. 7)
- Réglez la tension de la courroie en tournant la vis de réglage de la tension. Enfin, resserrez fermement l'écrou de serrage.

ACCESSOIRES FACULTATIFS

Disque de coupe en diamant

MAKITA offre des disques de coupe en diamant qui répondent aux exigences les plus strictes en matière de sécurité, de facilité d'utilisation, de rendement et de rentabilité. Ces disques peuvent couper tous les matériaux, **sauf le métal**.

La grande résistance des grains du diamant ralentit l'usure du disque, qui dure plus longtemps et ne varie presque pas en diamètre. Vous obtenez ainsi d'excellentes coupes tout au long de la durée de vie utile prolongée du disque. La qualité exceptionnelle de la coupe vous facilitera également la vie.

Les plaques en métal du disque assurent une rotation très stable et un minimum de vibrations.

Les disques de coupe en diamant réduisent considérablement le temps de coupe.

La découpeuse consommera ainsi moins de carburant, s'usera moins vite, nécessitera moins de réparations et, surtout, polluera moins.

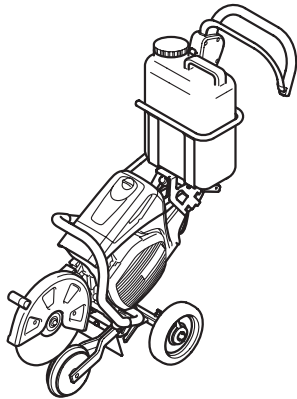
Chariot de guidage

Le chariot de guidage MAKITA facilite l'exécution de coupes droites et permet de travailler sans se fatiguer. On peut l'adapter à la taille de l'utilisateur. Il fonctionne avec un dispositif de coupe tant en position centrale qu'en position latérale.

On peut ajouter au chariot un limiteur de profondeur qui augmente la facilité et la précision de la coupe. Ce limiteur permet de respecter exactement la profondeur de coupe exigée.

Pour limiter les dépôts de poussière et pour mieux refroidir le disque de coupe, MAKITA offre plusieurs solutions de mouillage du disque pendant l'utilisation.

- Chariot
Utile pour la coupe de fondation
- Ensemble de filtres
Préfiltre (5 filtres)
Filtre à air (1 filtre)
Filtre du sac à poussière (1 filtre)



Réservoir à eau (monté sur le chariot)

Le réservoir à eau a été conçu pour être monté sur le chariot. Sa grande capacité convient parfaitement aux fréquents changements d'endroit. Pour le remplir ou le remplacer, il suffit de le soulever et de le retirer du chariot.

Le réservoir à eau comprend tous les tuyaux et raccords nécessaires. Il se monte sur le chariot et se raccorde à la découpeuse thermique facilement et rapidement.

Trousse de raccords pour conduite ou dispositif d'eau sous pression

Cette trousse de raccords a été conçue pour être montée directement sur la découpeuse thermique. On peut l'utiliser avec ou sans le chariot. Elle convient particulièrement bien aux coupes manuelles dans un endroit fixe. La trousse comprend un dispositif de dégagement rapide. On peut la raccorder à une conduite d'eau ou à un réservoir sous pression (7).

La trousse comprend tous les tuyaux et raccords nécessaires. Elle se monte rapidement et facilement sur la découpeuse thermique.

Tableau d'entretien préventif

Élément	Temps de fonctionnement									P correspondante
		Avant fonctionnement	Après remplissage	Quotidien (10 h)	20 h	30 h	50 h	200 h	Avant l'entreposage	
Huile moteur	Inspecter/ nettoyer	○								40
	Remplacer					○*1				
Pièces de serrage (boulons, écrous)	Inspecter	○								—
Réservoir de carburant	Nettoyer/ inspecter	○								—
	Vidange de l'essence								○*3	35
Courroie en V	Inspecter/ régler	○								44
Manette des gaz	Vérifier fonctionnement		○							—
Interrupteur d'arrêt	Vérifier fonctionnement		○							42
Disque de coupe	Inspecter	○		○						32
Régime ralenti	Inspecter/ régler			○						43
Filtre à air	Nettoyer						○			45
Filtre du sac à poussière	Nettoyer/ remplacer				○					45
Préfiltre	Nettoyer/ remplacer			○						45
Bougie d'allumage	Inspecter			○						46
Canalisation de l'air de refroidissement et ailettes	Nettoyer/ inspecter			○						—
Tuyau de carburant	Inspecter			○						—
	Remplacer							◎*2		—
Filtre à carburant	Nettoyer/ remplacer						○			46
Jeu des soupapes (soupape d'admission et soupape d'échappement)	Inspecter/ régler							◎*2		—
Carburateur	Vidange de l'essence								○*3	35

*1 Procédez à un premier remplacement après 20 heures de fonctionnement.

*2 Pour l'inspection des 200 heures de fonctionnement, consultez un technicien agréé ou un vendeur.

*3 Après avoir vidé le réservoir de carburant, laissez tourner le moteur et vidangez le carburant dans le carburateur.

Localisation des défaillances

Défaillance	Mécanisme	Observation	Cause
Le disque de coupe ne tourne pas.	Embrayage	Le moteur est en marche.	L'embrayage est endommagé.
Le moteur ne démarre pas ou démarre difficilement.	Allumage	L'allumage produit une étincelle (ce qui est normal). Pas d'étincelle à l'allumage	Problème d'alimentation en carburant; problème de compression; défektivité mécanique. L'interrupteur a été mis à la position ARRÊT; problème de câblage ou court-circuit; bougie d'allumage ou connecteur défectueux; module d'allumage défectueux.
	Alimentation en carburant	Réservoir plein	Position d'étranglement incorrecte; carburateur défectueux; tuyau d'alimentation en carburant plié ou obstrué; carburant encrassé.
	Compression	Aucune compression au démarrage.	Joint supérieur du cylindre défectueux; joints du vilebrequin endommagés; garnitures du cylindre ou du piston endommagés; mauvaise étanchéité de la bougie d'allumage.
	Défectuosité mécanique Embrayage	Démarreur non engagé Les impuretés adhèrent sur l'embrayage et autour des pièces	Ressort du démarreur cassé; pièces cassées à l'intérieur du moteur. Ressort de roue à cliquet contaminé et ouvert, faites-le nettoyer.
Problèmes de démarrage à chaud	Carburateur	Réservoir plein, étincelle à l'allumage	Carburateur encrassé, doit être nettoyé.
Le moteur démarre, mais s'arrête aussitôt.	Alimentation en carburant	Réservoir plein	Mauvais réglage de la rotation à vide; crépine d'aspiration ou carburateur encrassés. Évent du réservoir d'essence défectueux; tuyau d'alimentation en carburant sectionné; câblage ou interrupteur défectueux.
Rendement insuffisant	Plusieurs mécanismes peuvent être défectueux simultanément.	Faible vitesse de rotation à vide	Filtre à air encrassé; carburateur encrassé; silencieux obstrué; tuyau d'échappement du cylindre obstrué.

Dépannage

Avant de demander une réparation, procédez vous-même à une vérification. En cas d'anomalie, contrôlez votre machine conformément à la description du présent manuel. Ne modifiez ni de démontez jamais une pièce d'une autre façon. Pour les réparations, contactez un technicien agréé ou un détaillant.

Anomalie	Cause probable (dysfonctionnement)	Solution
Le moteur ne démarre pas	Impossible d'actionner la pompe d'amorçage	Appuyez de 7 à 10 fois
	Vitesse insuffisante de tirage de la corde du lanceur	Tirez fermement
	Pas assez de carburant	Ajoutez du carburant
	Filtre à carburant obstrué	Nettoyez-le
	Tuyau de carburant sectionné	Réparez le tuyau de carburant.
	Carburant détérioré	Le carburant détérioré perturbe le démarrage. Remplacez-le. (Fréquence de remplacement recommandée : chaque mois)
	Aspiration de carburant excessive	Basculez la manette des gaz de la vitesse moyenne à la grande vitesse, puis tirez le lanceur jusqu'au démarrage du moteur. Une fois le moteur démarré, la rotation du disque de coupe commence. Faites très attention au disque. Si le moteur ne démarre toujours pas, retirez la bougie d'allumage, séchez l'électrode puis réinsérez la bougie. Démarrez ensuite comme indiqué.
	Embout de la bougie détaché	Fixez-le fermement
	Bougie d'allumage encrassée	Nettoyez-le
	Écartement anormal des électrodes de la bougie d'allumage	Réglez l'écartement des électrodes.
	Autre anomalie de la bougie d'allumage	Remplacez-la
	Anomalie du carburateur	Demandez une inspection et un entretien.
	Impossible de tirer la corde du lanceur	Demandez une inspection et un entretien.
	Anomalie du système d'entraînement	Demandez une inspection et un entretien.
Le moteur s'arrête rapidement La vitesse du moteur n'augmente pas	Embrayage et pièces contaminés	Nettoyez-le
	Réchauffage insuffisant	Réchauffez le moteur
	Levier d'étrangleur basculé sur « H » même si le moteur est réchauffé.	Réglez le levier à « ON III »
	Filtre à carburant obstrué	Nettoyez-le
	Filtre à air encrassé ou obstrué	Nettoyez-le
	Anomalie du carburateur	Demandez une inspection et un entretien.
Le disque de coupe ne tourne pas ↓ Arrêt immédiat du moteur	Anomalie du système d'entraînement	Demandez une inspection et un entretien.
	Boulon de serrage du disque de coupe mal serré	Resserrez le boulon fermement
Le corps de l'outil vibre de façon anormale ↓ Arrêt immédiat du moteur	Anomalie du système d'entraînement	Demandez une inspection et un entretien.
	Lame de coupe brisée, tordue ou usée	Remplacez la lame de coupe
	Boulon de serrage du disque de coupe mal serré	Resserrez le boulon fermement
Le disque de coupe ne s'arrête pas immédiatement ↓ Arrêt immédiat du moteur	Anomalie du système d'entraînement	Demandez une inspection et un entretien.
	Vitesse de rotation à vide trop élevée	Ajustez-la
	Tringlerie des gaz détachée	Demandez une inspection et un entretien.
Le moteur ne s'arrête pas ↓ Faire fonctionner le moteur au ralenti et basculer le levier d'étrangleur sur « H »	Anomalie du système d'entraînement	Demandez une inspection et un entretien.
	Connecteur détaché	Fixez-le fermement
	Anomalie du système électrique	Demandez une inspection et un entretien.

Si le moteur ne démarre pas après le réchauffage :

si vous ne trouvez aucune anomalie après vérification, ouvrez l'étrangleur d'environ 1/3 et démarrez le moteur.

Entreposage

AVERTISSEMENT :

Avant de vider le réservoir de carburant, arrêtez le moteur et laissez le refroidir.

- Le carburant peut s'enflammer et causer des blessures si le moteur est encore chaud quand vous videz le réservoir.

ATTENTION :

Si vous ne comptez pas utiliser le découpeur thermique pendant une longue période, videz-en le réservoir de carburant et entreposez-le dans un endroit propre et sec.

- Pour vider le réservoir et le carburateur, procédez comme suit :

- (1) Retirez le bouchon du réservoir de carburant et videz complètement le réservoir.
Vérifiez la présence de corps étrangers dans le réservoir vide et retirez-les, le cas échéant.
- (2) Retirez le filtre à carburant en le faisant passer à travers le collet du réservoir à l'aide d'un fil rigide.
- (3) Appuyez sur la pompe d'amorçage à plusieurs reprises, jusqu'à ce que tout le carburant pénètre dans le réservoir; videz ensuite le réservoir.
- (4) Remplacez le filtre à carburant à sa position initiale, à l'intérieur du réservoir, puis resserrez fermement le bouchon du réservoir.
- (5) Enfin, démarrez le moteur et laissez le fonctionner jusqu'à ce qu'il s'arrête.
- (6) Retirez la bougie d'allumage et épongez les quelques gouttes d'huile à moteur qui demeurent dans la douille de la bougie.
- (7) Tirez lentement sur la poignée du lanceur pour faire circuler l'huile dans le moteur, puis réinsérez la bougie.
- (8) Stockez le vieux carburant dans un contenant approprié, et rangez ce contenant à l'ombre, dans un endroit bien aéré.

¡Gracias por su compra de un producto MAKITA!

¡Felicidades por haber escogido el cortador MAKITA! Confiamos en que usted estará satisfecho con este moderno equipo.

Deseamos que se sienta satisfecho con su producto MAKITA. Para garantizar un funcionamiento y desempeño óptimos de su cortador, así como por su propia seguridad, consideramos necesario que proceda con lo siguiente:

Lea esta manual de instrucciones con atención antes de utilizar el cortador por primera vez y ¡observe estrictamente las regulaciones de seguridad! ¡Hacer caso omiso de estas precauciones puede resultar en lesiones graves o letales!



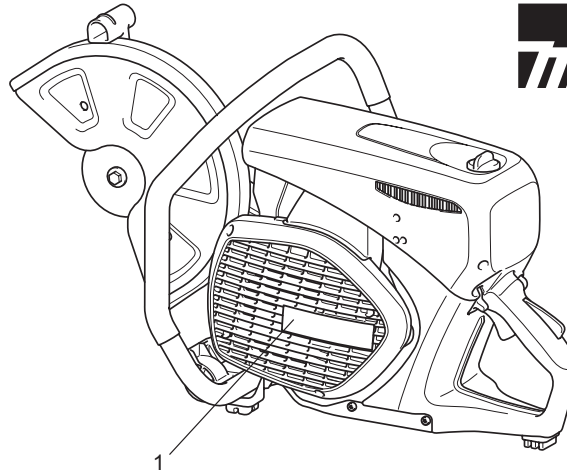
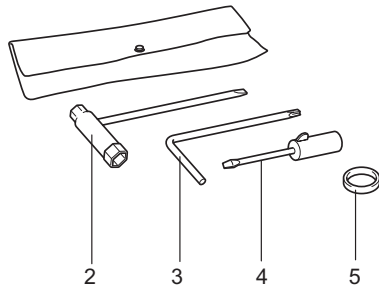
Índice	Página
Empaquetadura	54
Inventario de artículos incluidos	55
Símbolos	55
MEDIDAS DE SEGURIDAD	56
Precauciones generales.....	56
Equipo protector.....	56
Combustible / Reabastecimiento	57
Activación del equipo	57
Discos cortadores	58
Retrosceso brusco, accionamiento trabado y fuerzas giroscópicas.....	59
Conducta laboral / Método de trabajo	59
Corte de metales.....	60
Corte de mampostería y concreto.....	60
Transporte y almacenamiento.....	61
Mantenimiento.....	62
Primeros auxilios.....	62
Especificaciones técnicas	63
Denominación de componentes	64
PUESTA DEL EQUIPO EN OPERACIÓN	65
Instalación del disco cortador.....	65
Apretamiento de la banda trapezoidal / Comprobación de la tensión de la banda trapezoidal.....	66
Antes de la operación	66
Operación	68
Arranque	68
Ajuste del carburador	69
MANTENIMIENTO	69
Banda trapezoidal	70
Limpieza del capó protector.....	70
Limpieza / cambio del filtro de aire.....	71
Mantenimiento de la bujía de encendido	72
Reemplazo de la cabeza de succión	72
Limpieza del arrancador.....	73
Cambio de la posición del aditamento de corte (posición al centro / lateral)	74
ACCESORIOS ESPECIALES	75
Discos cortadores de diamante.....	75
Carretón guía	75
Tanque de agua (componente del carretón).....	75
Sistema de agua por tubería / a presión	75
Tabla de mantenimiento	76
Determinación de fallas	77
Resolución de problemas	78
Almacenamiento	79

Empaquetadura

Su cortador MAKITA viene empaquetado en una caja de cartón para prevenir daños durante el despacho de la mercancía. El cartón es un materia prima básica y es consecuentemente reutilizable o adecuada para reciclarse (reciclaje de papel).



Inventario de artículos incluidos



Makita

1. Cortador
2. Llave combinada 13/19 AF
3. Llave de estrella
4. Destornillador para ajustes del carburador
5. Anillo adaptador (puede que para algunos países las herramientas no requieran este anillo).
6. Manual de instrucciones (no se muestra)

Por favor consulte con su agente de ventas en caso de que alguna de las partes no esté incluida en el inventario de artículos arriba mencionados.

Símbolos

Usted se percatará de los siguientes símbolos tanto en el equipo, como en el manual de instrucciones.

	¡Lea el manual de instrucciones y observe las advertencias y precauciones de seguridad!		Dimensiones del disco cortador
	¡Con particular cuidado y precaución!		¡No utilizar nunca hojas de sierra circular, de sierra con puntas de carburo ni ningún tipo de disco para cortar madera!!
	¡Prohibido!		¡No usar nunca muelas tronzadoras averiadas!
	Use casco protector, así como equipo protector para los ojos y los oídos.		Encendido manual del motor
	¡Use guantes protectores!		¡Interrumpa y apague el motor!
	¡No fumar!		¡Advertencia! ¡Retroceso brusco!
	¡No al fuego activo!		Combustible (Gasolina)
	Dirección de rotación del disco cortador		Primeros auxilios
	⚠ ADVERTENCIA: ¡la velocidad periférica máxima del disco cortador es de 80 m/s!		Reciclado

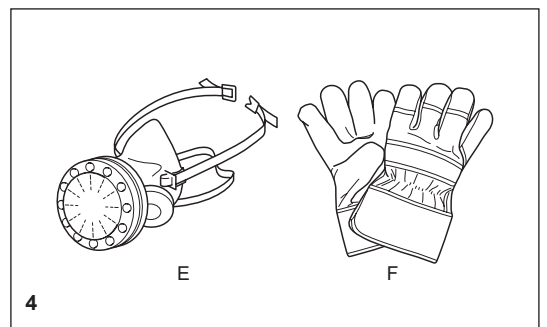
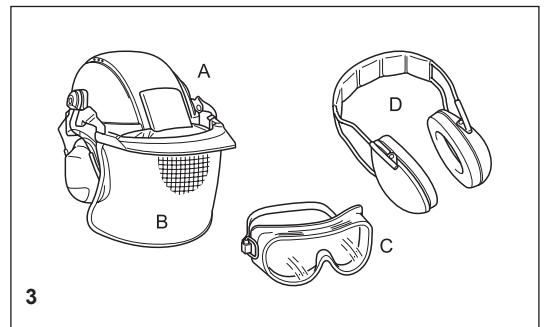
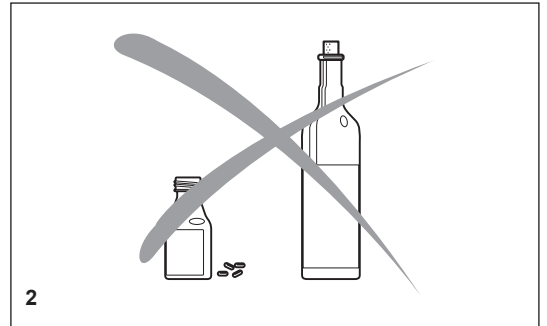
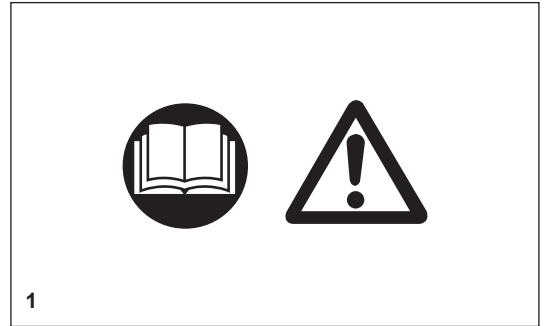
MEDIDAS DE SEGURIDAD

Precauciones generales

- El operador **DEBE leer este manual de instrucciones para asegurar una operación segura (incluso si usted ya cuenta con experiencia en sierras de corte)**. Es importante familiarizarse con la operación de este modelo en particular. Los usuarios sin suficiente conocimiento se pondrán en una situación de peligro a sí mismos y a otras personas debido a un manejo inadecuado.
- Sólo permita que personas con experiencia en el uso de sierras de corte operen este equipo. Es necesario incluir este manual junto con el equipo al momento de entregarlo para dejar que otra persona lo utilice.
- Los usuarios primerizos deberán consultar con un especialista para que les instruya en el uso de sierras de corte a gasolina.
- Los niños y personas menores de 18 años de edad no deberá permitírseles usar este cortador. Sin embargo, puede que personas mayores de 16 años usen el cortador con fines de entrenamiento siempre y cuando estén bajo la supervisión de un instructor calificado.
- La operación del cortador requiere de un alto nivel de concentración.
- Opere el cortador sólo si usted se encuentra en buena condición física. Si siente cansancio, su atención se verá afectada. Tenga especial atención al final de la jornada laboral. Realice todo el trabajo tranquila y cuidadosamente. El usuario tiene que aceptar la obligación de responsabilidad por los demás.
- Nunca trabaje mientras se encuentre bajo los efectos de alcohol, drogas, medicamentos u otras sustancias las cuales puede que afecten la visión, la destreza o el juicio.
- Se debe contar con un extinguidor de incendios dentro de una proximidad inmediata.
- El asbesto y otros materiales que pueden liberar toxinas podrán cortarse sólo cuando sea necesario tomando las medidas de precaución y seguridad, y tras haber hecho la notificación a las autoridades competentes y bajo su supervisión, o bajo la supervisión de una persona designada por ellos.

Equipo protector

- Para evitar lesiones en la cabeza, ojos, manos o pies, así como para proteger su audición, se requiere el uso del siguiente equipo protector y prendas protectoras durante la operación del cortador.
Al usar equipo protector personal, ¡asegúrese de que cumpla con la norma ANSI Z87.1!
- El tipo de vestimenta a ser utilizada debe ser apropiada, por ejemplo, debe quedar lo suficientemente ajustada para que no se convierta en un estorbo. No se deberá usar vestimenta en la que se puedan acumular residuos del material cortado, como pantalones con la bastilla doblada hacia arriba, así como chaquetas y pantalones con bolsillos de amplia apertura, entre otros, especialmente al cortar metal.
- No use joyería ni prendas de vestir que puedan engancharse o que distraigan su atención al usar el cortador.
- Durante la operación del cortador, es necesario usar un casco protector siempre. El **casco protector (A)** debe ser revisado durante intervalos periódicos para ver si tiene daños y debe reemplazarse a los 5 años a más tardar. Use sólo cascos protectores aprobados.
- El **visor (B)** del casco protege el rostro del polvo y residuos de materiales. Use **gafas protectoras (C)** o visor siempre para prevenir lesiones a los ojos y al rostro al usar el cortador.
- Use **protección auricular** adecuada siempre para prevenir daños a los oídos (orejeras (D), tapones para los oídos, etc.). Análisis de la octava de sonido disponible bajo petición.
- Se deberá usar **protección respiratoria (E)** siempre durante el corte en seco de materiales generadores de polvo, como piedra o concreto.
- **Los guantes de trabajo (F)** de cuero resistente son parte del equipo de trabajo para usar el cortador y deberán usarse siempre al usar el equipo.



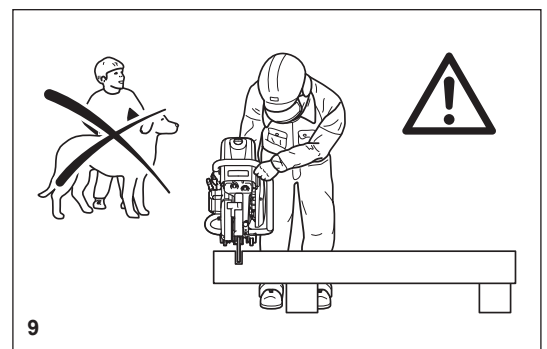
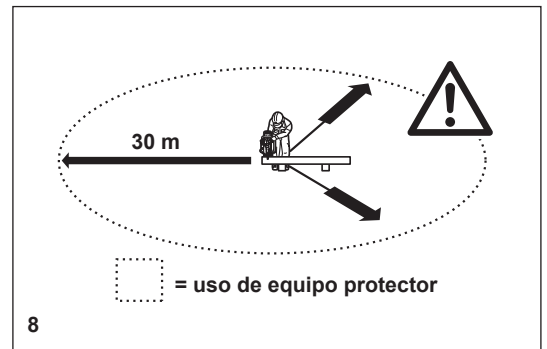
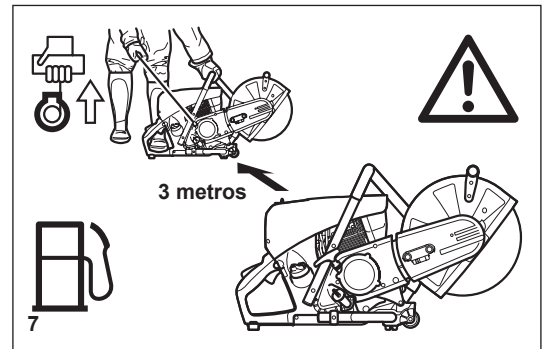
- Use **zapatos o botas de seguridad (G)** reforzados con punta de acero, suela antiderrapante, al igual que protector para las piernas al usar el cortador. El calzado de seguridad equipado con capa protectora protege contra cortes y asegura un pisado firme.
- Use un **traje de trabajo resistente (H)** siempre.

Combustible / Reabastecimiento

- Al reabastecer combustible, busque hacerlo en un lugar seguro y plano. **¡Nunca reabastezca el combustible mientras se encuentre en andamios, sobre montones de material ni circunstancias similares!**
- Apague el motor antes de reabastecer el combustible del cortador.
- No fume ni trabaje cerca de fuego activo (6).
- Deje enfriar el motor antes de reabastecer el combustible.
- Puede que el combustible contenga sustancias similares a los disolventes. Los productos minerales y del petróleo no deberán entrar en contacto con los ojos y la piel. Use siempre un par de guantes para proteger la piel de sus manos al reabastecer el combustible (¡que no sean sus guantes habituales de trabajo!). Limpie y cambie de vestimenta protectora con frecuencia. Evite inhalar los vapores del combustible. La inhalación de éstos puede ser peligroso para su salud.
- No derrame combustible. Si ocurre un derrame, limpie inmediatamente el cortador. El combustible no deberá entrar en contacto con la vestimenta. Cambie de vestimenta al instante si ésta ha entrado en contacto con el combustible.
- Asegúrese de que el combustible no transpire y termine en el suelo (protección ambiental). Utilice una base adecuada.
- El reabastecimiento de combustible no está permitido en lugares cerrados. Los vapores se acumularán próximos al nivel del suelo (peligro de explosión).
- Asegúrese de enroscar con firmeza la tapa del tanque de combustible.
- Antes de arrancar el motor, desplácese a un lugar que quede por lo menos 3 metros (aprox. 3,25 yardas) alejada del lugar en donde reabasteció el combustible del cortador (7), sin que quede dentro del rango de alcance extendido del disco cortador (dirección de las chispas).
- El combustible no puede almacenarse por tiempo ilimitado. Adquiera sólo la cantidad que planea consumir en el futuro de corto plazo.
- Use sólo contenedores aprobados y marcados para el transporte y almacenamiento de combustible.
- **¡Mantenga el combustible alejado y fuera del alcance de los niños!**

Activación del equipo

- **No trabaje solo por su cuenta. Deberá haber alguien más alrededor en caso de una emergencia (dentro de una distancia en la que se pueda escuchar un grito).**
- Observe todas las normas contra el ruido al trabajar en zonas residenciales.
- **¡Nunca use el cortador cerca de sustancias inflamables ni gases explosivos! ¡El cortador puede generar chispas que pueden resultar en un incendio o explosión!**
- Asegúrese de que todas las personas dentro de un rango de 30 metros (33 yardas) alrededor, como los compañeros de trabajo, estén usando equipo protector (refiérase a "Equipo protector") (8). Los niños y las demás personas que no estén autorizadas deben permanecer a más de 30 metros alejadas del área de trabajo. También se deberá estar atento de las mascotas y animales (9).
- **Antes de iniciar el trabajo, el cortador deberá revisarse para ver que su funcionamiento está en perfectas condiciones y que cumpla con las medidas de seguridad correspondientes.**
En particular, asegúrese de que el disco cortador se encuentre en buenas condiciones (reemplácelo de inmediato si nota que está rasgado, dañado o con alguna deformidad), que éste se encuentre adecuadamente instalado, que el capó protector esté colocado como corresponde, que el protector para manos se encuentre correctamente puesto, que la banda trapezoidal tenga la tensión indicada, que el acelerador se mueva con facilidad y que las empuñaduras estén limpias y secas, al igual que el interruptor de combinación funcione apropiadamente.
- Encienda el cortador sólo tras haber completado su ensamble e inspección. Nunca use el cortador sin que se encuentre completamente ensamblado.



Discos cortadores

- ¡El capó protector siempre debe estar colocado! ¡Reemplace los discos sólo con el motor apagado!
- Hay dos tipos básicos de discos cortadores:
 - Para metal (corte caliente)
 - Para mampostería (corte frío)

⚠ ADVERTENCIA:

No use nunca discos de sierra con puntas de carburo ni ningún tipo de disco para cortar madera. No corte nunca madera. Las fuerzas reactivas pueden ocasionar graves daños personales a través del contacto con la hoja o por las partículas lanzadas.

NOTA:

Al usar discos cortadores de diamante, asegúrese siempre de observar las marcas de "dirección de rotación". Los discos de diamante deberán usarse sólo para cortar mampostería, como ladrillo y concreto, entre otros materiales similares.

- Los discos cortadores están diseñados sólo para carga radial, es decir, para cortar.
- ¡No use las caras del disco cortador para esmerilar! ¡Esto romperá el disco (10)!

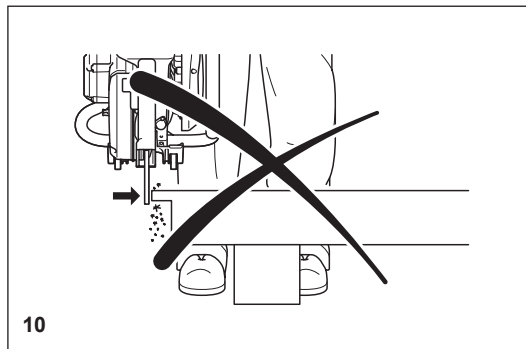
⚠ PRECAUCIÓN:

¡Nunca cambie la dirección (radio de giro menor a 5 metros / 5,5 yardas), la presión lateral ejercida, ni la punta del cortador durante la operación de corte (11)!

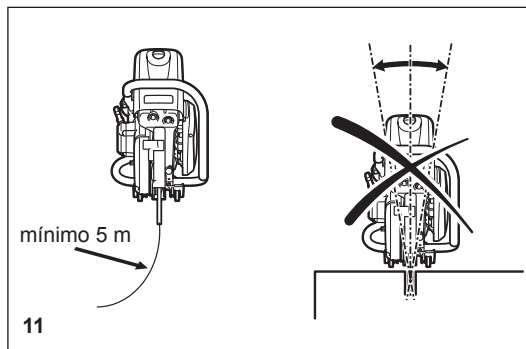
- Use un disco cortador sólo para cortar los materiales para los que fue diseñado. El tipo adecuado de disco debe ser usado, ya sea para metales o mampostería.
- El orificio del eje (diámetro / calibre) del disco cortador deberá ajustarse al eje de forma exacta. Si el orificio del eje es mayor que el diámetro del eje, se deberá usar un anillo espaciador (accesorio).
- Use sólo discos cortadores aprobados por la DSA (Comité Alemán de Discos Abrasivos) u organismo equivalente para el corte a pulso de hasta 4 370 RPM (= 80 m/seg. en circunferencia) para discos de 14" / 355 mm, o de hasta 5 100 RPM (= 80 m/seg. en circunferencia) para discos de 12" / 300 mm.
- El disco debe estar completamente libre de defectos (12). No use discos cortadores defectuosos.

Apriete siempre el perno de instalación del disco cortador a una torsión de 30 Nm. De otra manera, el disco cortador se puede torcer.

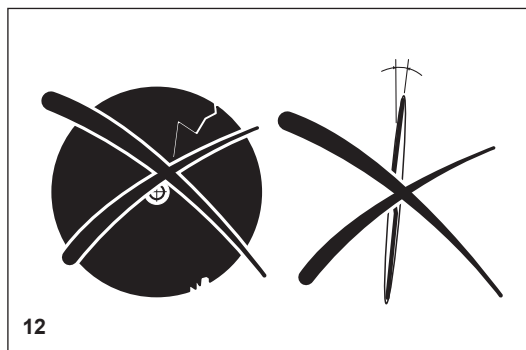
- Antes de accionar el disco cortador, asegúrese de estar pisando el suelo firmemente.
- Opere el cortador sólo como se describe en este manual de instrucciones (13). Coloque siempre su pie izquierdo en el mango trasero y sujete el otro mango con firmeza (asir con todos los dedos y el pulgar). No está permitido emplear otros métodos para encender el equipo.
- Al encender el cortador, éste deberá estar bien apoyado y se debe sujetar con firmeza. El disco cortador deberá no estar en contacto con nada.
- Si el disco cortador es nuevo, sométalo a prueba al dejarlo correr por lo menos 60 segundos a velocidad máxima. Al hacer esto, asegúrese de que no haya personas ni partes del cuerpo que estén expuestas al rango de alcance extendido del disco, por si acaso está defectuoso y sale proyectado al zafarse.
- **Utilice ambas manos para sujetar el cortador siempre que trabaje con éste.** Sujete el mango trasero con la mano derecha y el mango tubular con la mano izquierda. Sujete los mangos con firmeza usando toda la mano de tal forma que los dedos se empuñen contra el pulgar.
- **PRECAUCIÓN: Al liberar la palanca de aceleración, el disco continuará girando durante un breve momento** (efecto de giro libre).
- Asegúrese de estar pisando firmemente el suelo de forma continua.
- Sujete el cortador de tal forma que no inhale el gas expedido. No trabaje en lugares cerrados ni en lugares confinados como fosas o zanjas profundas (peligro de envenenamiento por los vapores).
- **Apague el cortador inmediatamente si observa cualquier cambio en la función operativa.**
- **Apague el motor antes de inspeccionar o apretar la tensión de la banda trapezoidal, reemplazar el disco cortador, reacomodar el aditamento cortador** (posición lateral o al centro) **o arreglar fallas** (14).
- Apague el motor de inmediato y revise el disco si escucha o siente cualquier cambio en la función operativa.
- Apague el cortador cuando tome un descanso o interrumpa el trabajo (14). Coloque el equipo de tal forma que el disco no haga contacto con nada, ni pueda poner a nadie en peligro.
- No coloque el cortador sobrecalentado sobre césped seco ni sobre ningún material inflamable. El mofle alcanza temperaturas muy calientes (peligro de incendio).
- **IMPORTANTE:** Tras la operación del corte con agua, primero descontinúe el suministro de agua y luego deje correr el disco por al menos 30 segundos para que se despoje del agua y así se prevenga la corrosión.



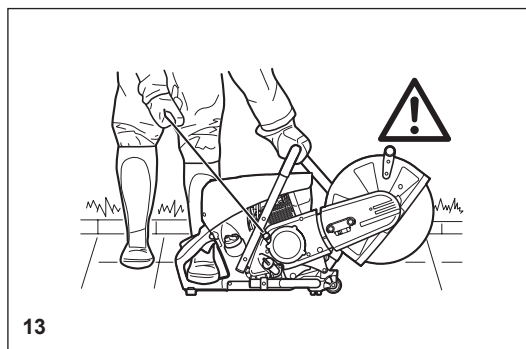
10



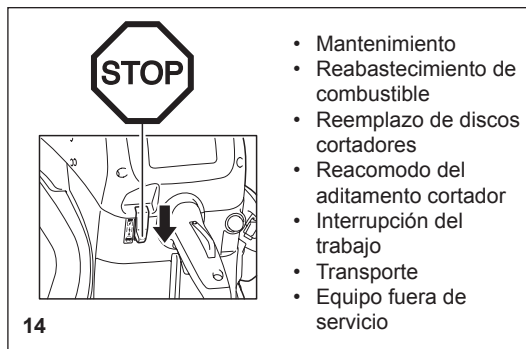
11



12



13

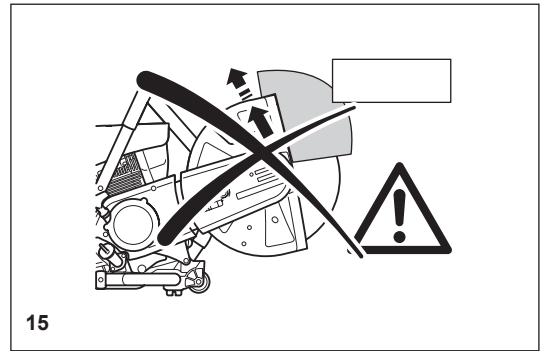


14

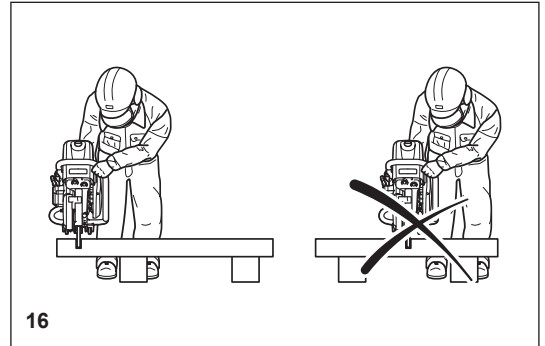
- Mantenimiento
- Reabastecimiento de combustible
- Reemplazo de discos cortadores
- Reacomodo del aditamento cortador
- Interrupción del trabajo
- Transporte
- Equipo fuera de servicio

Retroceso brusco, accionamiento trabado y fuerzas giroscópicas

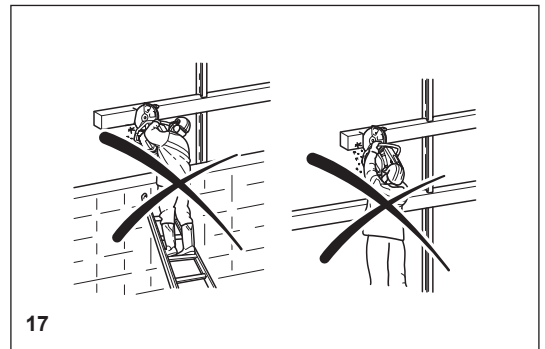
- Al trabajar con el cortador se corre el riesgo de experimentar retrocesos bruscos y accionamiento trabado.
 - Los retrocesos bruscos suceden cuando la parte superior del disco cortador se usa para el corte (15).
 - Esto provoca que el cortador se propulse contra el usuario con gran intensidad y descontrol. **¡Riesgo de lesión!**
- Para prevenir retrocesos bruscos, tome las medidas siguientes:**
- Nunca corte con la sección del disco cortador ilustrada en la figura 15.
 - **¡Tenga especial cuidado al reinsertar el disco en cortes que ya se hayan comenzado!**
 - El accionamiento trabado ocurre cuando el corte se estrecha (cuartear o pieza de trabajo bajo tensión).
 - Esto causa que el cortador de repente se propulse hacia adelante sin control y con gran intensidad. **¡Riesgo de lesión!**
- Para prevenir accionamiento trabado, tome las medidas siguientes:**
- Al reinsertar el disco en cortes previamente hechos, espere a que el cortador alcance velocidad máxima. Siempre corte a velocidad máxima.
 - Siempre apoye la pieza de trabajo de tal forma que el corte esté bajo tensión (16), para que el corte no se estreche trabando el disco cortador a medida que avance a través del material cortado.
 - Al iniciar un corte, aplique el disco a la pieza de trabajo con atención y cuidado. No lo inserte simplemente en el material.
 - ¡Nunca corte más de una pieza a la vez! Al cortar, asegúrese de que no entre en contacto con alguna otra pieza de trabajo.
 - Las fuerzas giroscópicas entran en acción al manejar un cortador con un disco compuesto que gira velozmente.
 - El cortador reaccionará de una forma descontrolada. Se corre el riesgo de que puede que se generen lesiones.
- Con el objetivo de prevenir que las fuerzas giroscópicas se generen, por favor tome nota de lo siguiente: ¡No gire el equipo rápidamente sobre su propio eje longitudinal!**



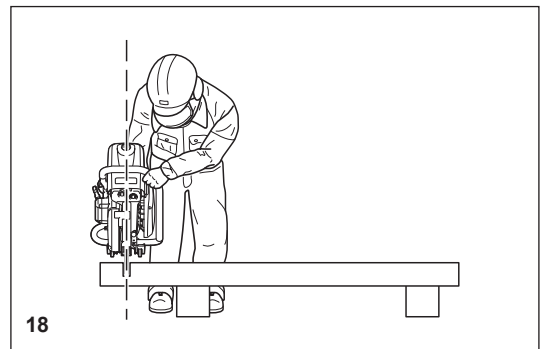
15



16



17



18

Conducta laboral / Método de trabajo

- Compruebe la integridad del disco compuesto tanto antes como después de embonarlo al equipo.
- Antes de empezar a trabajar, compruebe la presencia de cualquier peligro en el área de trabajo (cables eléctricos, sustancias inflamables). Delimite con claridad la sección del área del trabajo (por ejemplo, mediante el uso de señales de advertencia o acordonando para restringir el paso dentro del área).
- Al trabajar con el cortador, sujételo con firmeza por el mango delantero y mango trasero. ¡Nunca deje el cortador desatendido!
- Siempre que sea posible, ejecute el cortador a la velocidad clasificada de eje (refiérase a "Especificaciones técnicas").
- Use el cortador sólo durante periodos con buena iluminación y visibilidad. Esté atento de áreas mojadas o resbalosas, así como del hielo y la nieve (riesgo de resbalones).
- Cuando el disco cortador golpee contra algún objeto inesperado, inspeccione inmediatamente en busca de grietas, distorsión, deformidad o desbalance.
- Si detecta que el capó protector se ha agrietado o roto, reemplácelo antes de continuar el uso del equipo.
- Nunca trabaje sobre superficies inestables. Asegúrese de que no haya obstáculos en el área de trabajo, para evitar el riesgo de tropezos. Asegúrese siempre de pisar firmemente el suelo.
- No haga cortes por encima de la altura de sus hombros (17).
- No haga cortes al estar en una escalera, ni sobre alguna plataforma (17).
- Nunca use el cortador mientras esté en andamios.
- No se exceda en su alcance al estar trabajando. Tanto para colocar el equipo en el suelo, como para recogerlo, use las rodillas para agacharse en lugar de flexionarse desde la cintura. ¡Proteja su espalda!
- Guíe el cortador de tal manera que no exponga ninguna parte de su cuerpo dentro del rango de alcance extendido del disco (18).
- ¡Use los discos cortadores para cortar sólo el material para los que están diseñados!
- No use el cortador como pala para levantar o despejar materiales y otros objetos. **¡Importante!** Antes de proceder con operaciones de corte, despeje el área de corte de objetos ajenos como piedras, grava, clavos, etc. De otra manera, dichos objetos podrían salir proyectados por el disco a gran velocidad. **¡Peligro de lesiones!**
- Use un apoyo estable y firme al cortar por todo el largo de la pieza de trabajo. De ser necesario, fije la pieza de trabajo para que no se deslice, pero no la detenga con el pie ni pida que otra persona la sujete.
- Al hacer cortes de piezas redondas, fije siempre la pieza para evitar que ésta gire.
- Al estar guiando el cortador con la mano, use la posición de montura lateral del aditamento cortador sólo cuando sea realmente necesario. De otra forma, use siempre la posición al centro. Esto brinda una mejor estabilidad al equipo, reduciendo la fatiga del operador.

Corte de metales

⚠ ¡IMPORTANTE!

¡Use siempre protección respiratoria aprobada!

Los materiales que pueden liberar sustancias tóxicas podrán cortarse sólo tras notificar a las autoridades competentes y bajo su supervisión, o bajo la supervisión de la persona designada por ellos.

⚠ PRECAUCIÓN:

La rotación veloz del disco cortador calienta el metal y lo derrite en el punto de contacto. Baje el protector tanto como sea posible por detrás el corte (19) para dirigir el flujo de chispas hacia adelante, fuera del operador (peligro de incendio).

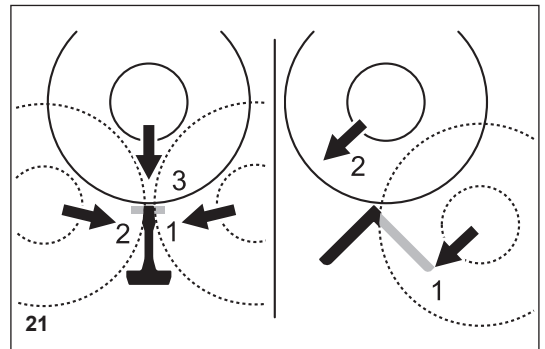
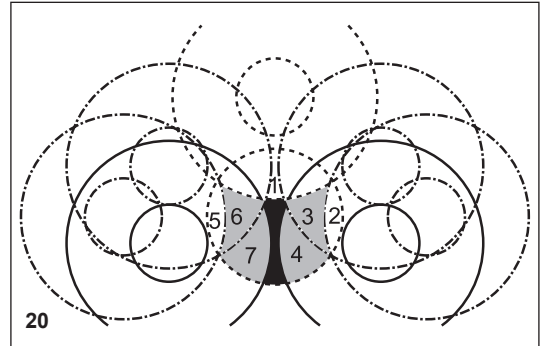
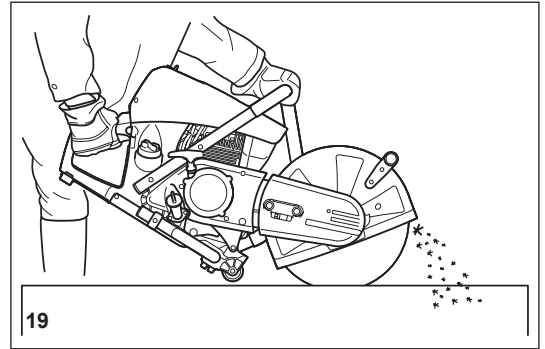
- Determine la dirección de corte, marque el corte y aplique el disco al material a velocidad moderada para hacer una ranura de guía, antes de ajustar a velocidad máxima y ejercer mayor presión en el cortador.
- Mantenga el disco recto y vertical. No lo incline, pues con ello podría romperlo.
- La mejor forma de conseguir un corte bien hecho y limpio es mediante el movimiento hacia adelante y hacia atrás del cortador (empujar y retraer ligeramente el disco mientras se realiza el corte). No se limite a simplemente presionar el disco en el material.
- El material redondo grueso es mejor cortado por etapas (20).
- La tubería delgada puede cortarse con un simple corte hacia abajo.
- Corte tubos de gran diámetro como se corta el material redondo grueso. Para prevenir la inclinación y para un mejor control, no deje que el disco se sumerja demasiado en el material. En su lugar, procure cortar superficialmente por alrededor de toda la circunferencia de la pieza.
- Los discos gastados tienen un diámetro menor que los discos nuevos, por lo que a una misma velocidad, ofrecerán una velocidad circunferencial menor y por lo tanto no cortarán con la misma efectividad.
- Corte las vigas-I y las barras-L en pasos; ver Figura 21.
- Corte las bandas y las placas (láminas) como se cortan los tubos: a través del lado ancho con un corte largo.
- Al cortar material bajo tensión (material apoyado o material en estructuras), realice siempre una ranura en el lado de compresión (el lado presionado), y luego corte desde el lado en donde se ejerce la tensión, de tal forma que el disco no quede en accionamiento trabado. **¡Asegure el material cortado que caerá!**

⚠ PRECAUCIÓN:

Si hay alguna probabilidad de que el material se encuentre bajo tensión, prepárese para una reacción de retroceso brusco en éste. ¡Asegúrese que usted se pueda quitar en caso de que tenga que hacerlo!

Tenga particular cuidado en lugares donde se almacena chatarra, lugares donde ocurrió algún accidente y en puntos aleatorios donde se amonte material. Las piezas con inestabilidad o bajo tensión pueden responder de formas impredecibles, y pueden que se deslicen, salten o revienten. ¡Asegure el material cortado que caerá! Proceda siempre con extrema precaución y use sólo equipo que se encuentre en perfectas condiciones.

Observe las normas y reglas para la prevención de accidentes de su empleador y/o compañía de seguros. Cumpla con todas las normativas locales y nacionales.



Corte de mampostería y concreto

¡IMPORTANTE!

¡Use siempre protección respiratoria aprobada!

El asbesto y otros materiales que pueden liberar sustancias tóxicas podrán cortarse sólo tras notificar a las autoridades competentes y bajo su supervisión, o bajo la supervisión de la persona designada por ellos. Al cortar hormigón pretensado y concreto reforzado, siga las instrucciones y normativas de las autoridades competentes, o del integrante estructural del constructor. Las barras de refuerzo deben ser cortadas en la secuencia prescrita y de acuerdo con las regulaciones aplicables de seguridad.

NOTA:

La argamasa, la piedra y el concreto generan polvo en grandes cantidades durante el corte. Para incrementar el tiempo de vida del disco cortador (mediante el enfriamiento), así como para mejorar la visibilidad y evitar la generación excesiva de polvo, recomendamos contundentemente el corte con agua en lugar del corte en seco.

En el corte con agua, el disco se moja por ambos lados a una tasa constante mediante un chorro de agua. MAKITA ofrece los accesorios adecuados para las aplicaciones de corte con agua (vea también "ACCESORIOS ESPECIALES").

- Despeje el área de trabajo de objetos ajenos como piedras, clavos y arena.

PRECAUCIÓN: ¡esté atento del cableado y extensiones eléctricas!

La rotación veloz del disco cortador arroja fragmentos en el punto de contacto en la hendidura a gran velocidad. Por su seguridad, baje el capó protector tanto como sea posible por detrás el corte (23), de tal forma que los fragmentos del material se arrojen hacia adelante, fuera del operador.

- Marque el corte y luego haga una ranura de unos 5 mm (poco menos de 0,2") a través de toda la longitud del corte planeado. Esta ranura luego será la guía para el cortador durante el corte real para hacerlo con precisión.

NOTA:

Para cortes largos y rectos recomendamos usar un carrito (24, vea también "ACCESORIOS ESPECIALES"). Esto facilita mucho guiar el equipo en línea recta.

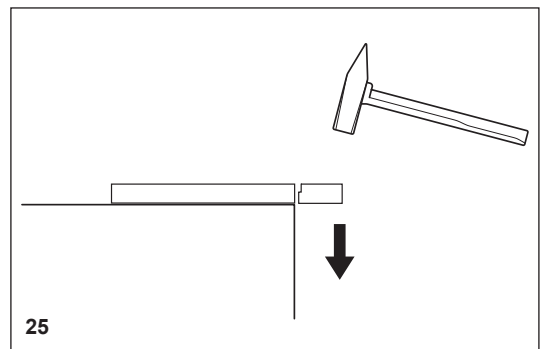
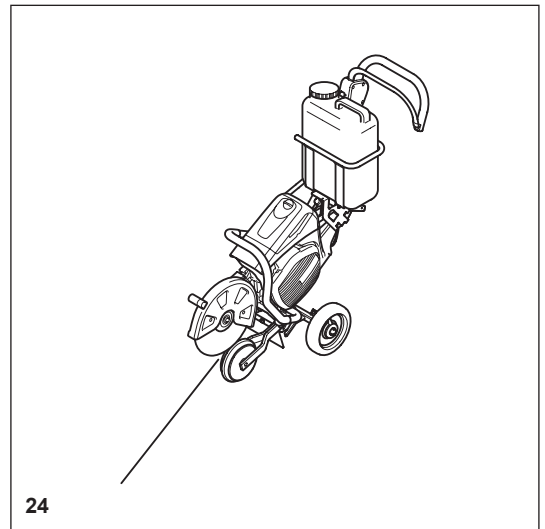
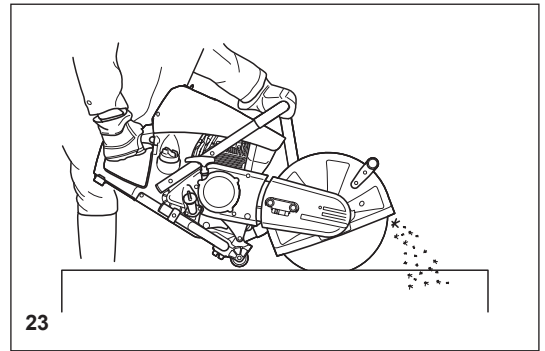
- Realice el corte con movimientos firmes hacia adelante y hacia atrás (empujar y retraer el equipo).
- Al cortar losas a cierto tamaño, necesita evitar que el corte sea a través de todo el grueso del material (lo cual generará polvo innecesario). En su lugar, simplemente haga una ranura superficial y luego golpetee el excedente con un impacto seco sobre una superficie plana (25).

¡CUIDADO!

Al hacer cortes en longitudes, así como al cortar material o hacer recortes, etc., asegúrese siempre de planear la dirección y secuencia de los cortes de tal forma que el disco no se atasque en la pieza recortada, y que no haya personas que se lesionen con las piezas que caigan.

Transporte y almacenamiento

- **Apague siempre el cortador cuando lo esté transportando o moviendo de un lugar a otro en un sitio de trabajo (26).**
- **¡Nunca cargue o mueva el equipo con el motor encendido o con el disco girando!**
- Cargue el equipo solo por el mango tubular (parte central del mango) con el disco apuntando hacia atrás de usted (26). Evite tocar el mofle de escape (¡peligro de quemaduras!).
- Use una carretilla o carreta de mano al trasladar el cortador a grandes distancias.
- Al transportar el cortador en un vehículo, asegúrese que quede fijo y seguro de tal forma que el combustible no se pueda fugar.
Quite el disco siempre antes de transportar el equipo en un vehículo.
- El cortador deberá almacenarse de forma segura en un lugar seco. ¡No se debe dejar al aire libre! Desinstale siempre el disco cortador antes de almacenar el equipo. Mantenga el cortador fuera del alcance de los niños.
- **Antes de almacenar por largo plazo y antes de hacer un envío del cortador, siga las instrucciones que se indican en el capítulo sobre "Almacenamiento". Vacíe SIEMPRE el tanque del combustible y vea que el carburador quede seco.**
- Al almacenar los discos cortadores, tenga cuidado al:
 - Limpiar y secarlos bien.
 - Almacenarlos de forma plana cara abajo.
 - Evitar humedad, temperaturas congelantes, exposición directa al sol, temperaturas elevadas y fluctuaciones de la temperatura, pues esto puede causar roturas y astillas.
- **Compruebe siempre la condición de los discos cortadores nuevos o discos cortadores almacenados para asegurarse que no presenten ningún defecto.**



Mantenimiento

- **Apague el cortador antes de realizar servicio de mantenimiento (27) y quite la tapa de la bujía.**
- Compruebe las condiciones del cortador siempre antes de usarlo para asegurar que se encuentra en buen estado. Particularmente, asegúrese que el disco cortador se encuentre correctamente instalado. Asegúrese que el disco cortador no esté dañado y esté en condiciones aptas para la labor para la cual se usará.
- Use el cortador sólo a un nivel bajo de ruido y emisiones.
- Para esto, asegúrese que el carburador esté correctamente ajustado.
- Limpie el cortador habitualmente.
- Compruebe que la tapa del tanque de combustible selle bien.

Observe las indicaciones para la prevención de accidentes emitidas por las asociaciones de comercio y compañías de seguros. ¡NUNCA realice alguna modificación al cortador! ¡Con ello sólo estaría poniendo su propia seguridad en riesgo!

Realice sólo el servicio de mantenimiento y reparación que se describe en este manual de instrucciones. Toda labor de reparación y mantenimiento adicional al descrito aquí deberá llevarse a cabo por Servicio de MAKITA (28).

Use sólo piezas de repuesto y accesorios originales de MAKITA.

El uso de piezas de repuesto, accesorios o discos cortadores que no sean de MAKITA aumentará el riesgo de accidentes. No podemos aceptar responsabilidad alguna por accidentes o daños ocurridos que estén relacionados con el uso de discos cortadores o accesorios que no sean originales de MAKITA.



27



SERVICIO

28

Primeros auxilios (29)

Asegúrese de contar con acceso inmediato y cercano a un juego de primeros auxilios. Reemplace inmediatamente cualquier artículo que haya utilizado.

Al pedir ayuda, proporcione la siguiente información:

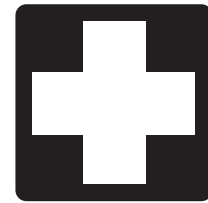
- Lugar del accidente
- Lo sucedido
- Número de personas lesionadas
- Tipo de lesiones
- ¡Su nombre!

NOTA:

Puede que las personas con deficiencia en su circulación sanguínea que estén expuestas a vibración excesiva sufran de lesiones en los vasos sanguíneos o el sistema nervioso.

Puede que la vibración cause los siguientes síntomas generados en los dedos, manos o muñecas: Entumecimiento (adormecimiento de las partes del cuerpo), sensación de hormigueo, dolor y punción, así como alteraciones de la piel o del color de ésta.

¡Acuda a su médico si experimenta cualquiera de estos síntomas!



29

Especificaciones técnicas

Artículo		Modelo	EK7650H	EK7651H	EK7651HD
Motor	Desplazamiento	cid (cm ³)	4,61 (75,6)		
	Calibre (diámetro)	in (mm)	2,0 (51)		
	Ciclo	in (mm)	1,5 (37)		
	Potencia máxima, con revoluciones de	hp (kW) / rpm	4,1 (3,0) / 7 500		
	Torsión máxima	Nm	4,6		
	Velocidad en estado de marcha sin carga	rpm	2 600		
	Embrague		Sistema auto centrífugo		
	Limitación de velocidad del motor	rpm	9 100		
	Velocidad máxima de eje	rpm	4 300		
	Carburador	Tipo	Tipo diafragma		
	Sistema de encendido (con limitación de velocidad)	Tipo	Tipo magnético, sin contacto		
	Bujía de encendido	Tipo	NGK CMR6H		
	Separación de electrodos	in (mm)	0,02 (0,5)		
	Sistema de arranque		Sistema de retroimpacto		
	Consumo de combustible a carga máxima según ISO 8893	kg/h	1,2		
	Consumo de combustible específico a carga máxima según ISO 8893	g/kWh	400		
	Combustible		Gasolina para automóvil		
	Capacidad del tanque de combustible	fl oz (l)	37 (1,1)		
Lubricante (aceite para motor)		Aceite SAE 10W-30 grado API de clase SF o superior (aceite para motor de automóvil a 4 tiempos)			
Cantidad de lubricante	l	0,22			
Disco cortador para 80 m/seg. o superior ¹⁾ (Aprobado por DSA): dimensiones	in (mm)	12 / 13/16 / 3/16 ²⁾ (300 / 20 / 5)	12 / 1 / 3/16 ²⁾ (300 / 25,4 / 5)	14 / 13/16 / 3/16 ²⁾ (350 / 20 / 5)	14 / 1 / 3/16 ²⁾ (350 / 25,4 / 5)
Nivel de presión sonora al oído del operador ³⁾	dB (A)	93,2			
Nivel de presión sonora al oído de un transeúnte (situado a 15 m / 50 ft) ³⁾	dB (A)	73,6			
Valor total de vibración a _{hv} de acuerdo a ANSI B175.4					
- Mango delantero (velocidad clasificada en el eje)	m/s ²	2,9			
- Mango trasero (velocidad clasificada en el eje)	m/s ²	2,4			
Diámetro del mandril	in (mm)	13/16 (20)	1 (25,4)	13/16 (20)	1 (25,4)
Diámetro del eje	in (mm)	11/16 (17)		13/16 (20)	1 (25,4)
Diámetro mínimo de la brida	in (mm)	4,02 (102)			
Profundidad máxima de corte	in (mm)	3-13/16 (97)		4-13/16 (122)	
Dimensiones del cortador (longitud total × amplitud total × altura total)	in (mm)	30" (761 mm) × 12-1/4" (310 mm) × 17-1/8" (435 mm)		30-3/4" (780 mm) × 12-1/4" (310 mm) × 17-7/8" (455 mm)	
Banda trapezoidal, número:	N°	225094-6			
Peso total (tanque vacío y sin disco cortador)	lbs (kg)	27,9 (12,7)		28,3 (12,9)	

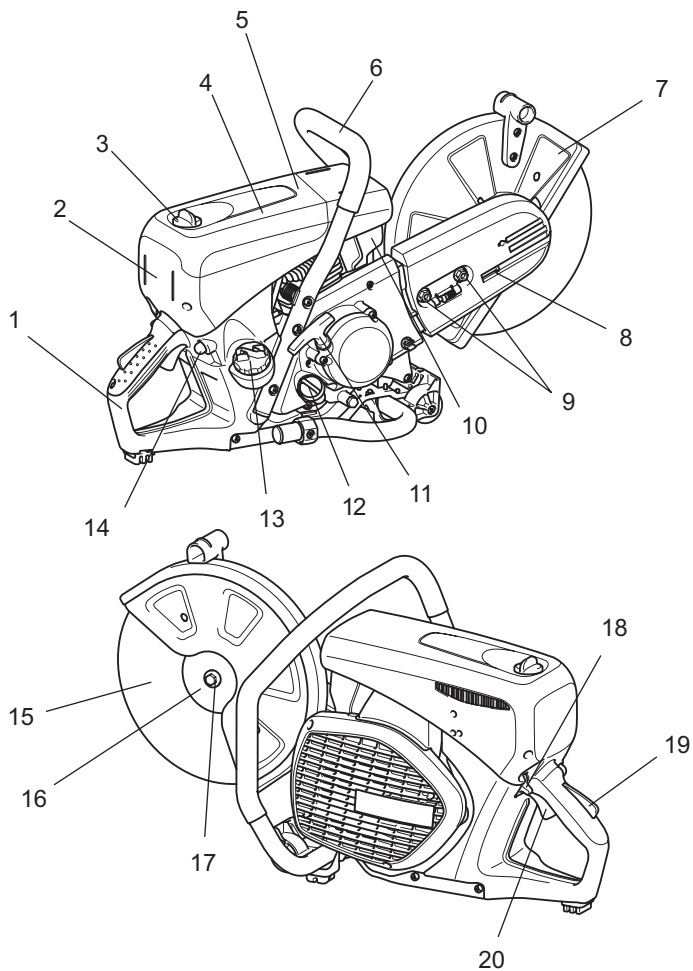
1) Velocidad de circunferencia a velocidad máxima del motor

2) Diámetro exterior / orificio del eje / grosor permisible máximo de los discos compuestos

3) De acuerdo a requisito de prueba-UL bajo carga completa (corte de concreto)

Denominación de componentes

1. Mango trasero
2. Cubierta del filtro
3. Tornillo del seguro
4. Cubierta superior para filtro de aire y tapa de la bujía de encendido
5. Cubierta superior
6. Mango delantero
7. Capó protector
8. Tornillo de ajuste de tensión
9. Tuerca hexagonal
10. Mofle
11. Empuñadura de arranque
12. Tapa del tanque de aceite
13. Tapa del tanque de combustible
14. Bomba del combustible (bomba cebadora)
15. Disco cortador
16. Brida exterior
17. Perno hexagonal
18. Interruptor
19. Botón de bloqueo de seguridad
20. Palanca de aceleración





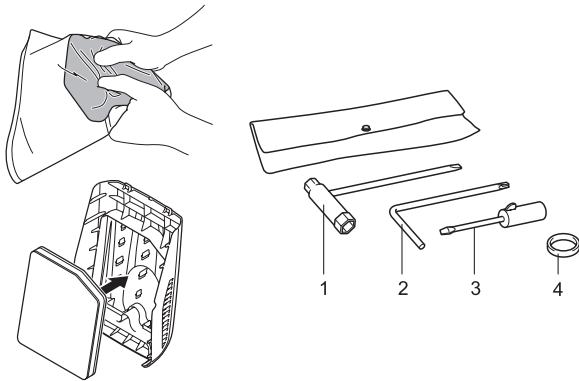
PUESTA DEL EQUIPO EN OPERACIÓN

⚠ PRECAUCIÓN:

¡Apague siempre el motor y quite la tapa de la bujía de encendido antes de dar cualquier servicio sobre el cortador!
¡Use siempre guantes protectores!

⚠ PRECAUCIÓN:

Encienda el cortador sólo tras haber completado su ensamble e inspección.



Para el siguiente trabajo, use las herramientas de ensamble que se incluyen en la entrega del equipo:

1. Llave combinada 13/16 AF
2. Llave de estrella
3. destornillador para ajustes del carburador
4. Anillo adaptador (no incluido, dependiendo del diámetro del eje): Cuando el diámetro del eje no embone con el orificio del eje del disco cortador, coloque el anillo adaptador entre el eje y el orificio del eje.

Coloque el cortador sobre una superficie estable y lleve a cabo los siguientes pasos para el ensamble:

⚠ ¡No hay un filtro de aire instalado!

Antes de la operación, comprima manualmente el filtro incluido varias veces de tal forma que el aceite quede inmerso en todo el filtro. ¡Inserte una esponja de filtro aceitada (prefiltro), como se muestra en la ilustración adjunta! Para hacer esto, retire la cubierta del filtro (refiérase a la sección Limpieza / cambio del filtro de aire).

Instalación del disco cortador

⚠ ADVERTENCIA:

- Compruebe la integridad del disco compuesto tanto antes como después de embonarlo al equipo.
- Al instalar el disco cortador de diamante, asegúrese de instalarlo de tal forma que la flecha quede orientada en la misma dirección de rotación de la brida exterior (6). La instalación del disco cortador de diamante (4) con su flecha en dirección opuesta a la de la cubierta de la rueda puede que astille el borde del disco y cause lesiones a la persona.
- Al instalar un disco cortador (4), use siempre el anillo que corresponda con el calibre (diámetro) del disco cortador y con el diámetro del eje (5). Omitir el uso de anillos que embonen según la ocasión causará vibración en la herramienta resultando en lesiones graves a la persona.
- Use sólo discos cortadores con el calibre (diámetro) que corresponda con el diámetro del/de los anillo(s) incluido(s). El uso de anillos que no embonen según la ocasión causará vibración en la herramienta resultando en lesiones graves a la persona.
- Inspección de un disco cortador para ver si hay daños (refiérase a la sección titulada "Discos cortadores" en MEDIDAS DE SEGURIDAD).

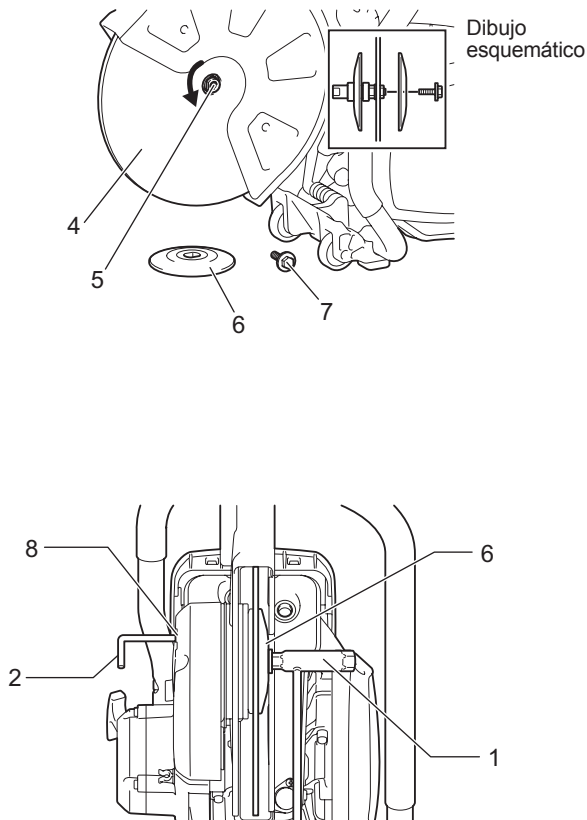
1. Inserte la llave estrella (2) en el orificio (8) para impedir que el eje (5) gire.

NOTA: Cuando se encuentre instalado un sujetador para el sistema de agua a presión en el orificio en la herramienta, quítelo antes de instalar un disco cortador.

2. Mientras sujeta la llave (2) en esa posición, use la llave combinada (1) incluida y gire el perno (7) en sentido contrario a las agujas del reloj sujetando el disco para quitar el perno (7) y la brida exterior (6).
3. Instale un disco cortador de diamante / disco abrasivo de corte (4) en el mandril (5). Luego coloque la brida exterior (6) en el eje de tal forma que las dos superficies paralelas planas sobre la brida exterior se ajusten a la superficie plana del eje y apriete con firmeza el perno girando en sentido de las agujas del reloj.

Para instalar un disco cortador, coloque un anillo del mismo diámetro que corresponda al calibre (diámetro) del disco y al anillo O incluido para retener el anillo en el eje antes de instalar un disco cortador de diamante.
Luego instale el disco cortador.

NOTA: Apriete el perno hexagonal con firmeza (25 - 31 Nm), o de otra forma el disco cortador puede que se deslice durante la operación de corte.



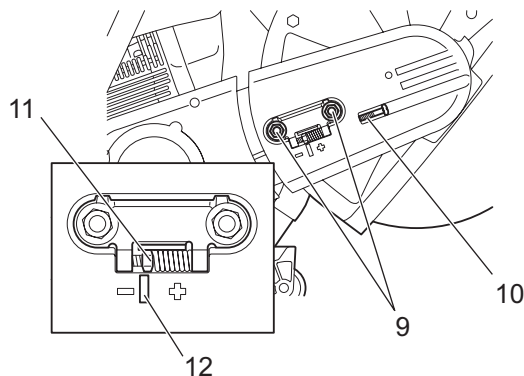
Apretamiento de la banda trapezoidal / Comprobación de la tensión de la banda trapezoidal

IMPORTANTE:

La tensión más precisa de la banda trapezoidal es esencial para un máximo desempeño de corte con un consumo mínimo de combustible. Una tensión inadecuada de la banda trapezoidal resultará en un desgaste prematuro de la banda y de la rueda de ésta, o en daños al cojinete del embrague.



NOTA: Se debe aflojar las dos tuercas hexagonales (9) antes de apretar o comprobar la tensión de la banda trapezoidal. Para aumentar la tensión de la banda, gire el tornillo de ajuste de tensión (10) a la derecha (en sentido de las agujas del reloj) con la llave combinada incluida con el cortador. La tensión de la banda está correctamente ajustada cuando la tuerca (11) se ubica como se ilustra en la figura en comparación a la posición de la marca (12).



IMPORTANTE:

- Tras el apretado / la inspección, cerciórese de apretar la tuerca hexagonal (9) (25 - 31 Nm).
- No ajuste la tensión de la banda mientras el equipo esté caliente. Existe un riesgo de lesiones por quemaduras.

Antes de la operación

1. Compruebe / reabastezca el aceite para motor.

- Con el motor enfriado, compruebe / reabastezca el aceite para motor de la siguiente manera.
- Coloque el motor sobre un plano nivelado y compruebe si la cantidad de aceite está dentro del rango MAX y MIN del tanque de aceite.
- Si la cantidad de aceite es insuficiente (cerca de la marca MIN en el tanque de aceite), llene el tanque con más aceite hasta que la cantidad alcance la marca MAX.
- La cantidad de aceite puede comprobarse externamente sin tener que quitar la tapa del tanque de aceite al poderse apreciar a través de la ventanilla externa transparente con la marca de medición.
- A manera de referencia, el aceite debe reabastecerse cada diez horas de uso (un tanque de aceite por cada diez reabastecimientos del tanque de combustible).
- Reemplace todo el aceite si luce extremadamente sucio o descolorido.

<Aceite recomendado> Use aceite SAE 10W-30 grado API de clase SF o superior (aceite para motor de automóvil a 4 tiempos).

<Cantidad de aceite> 0,22 L (220 mL)

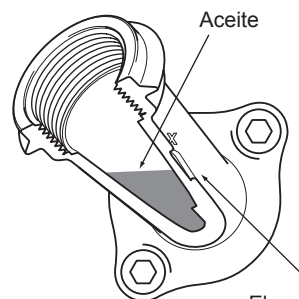
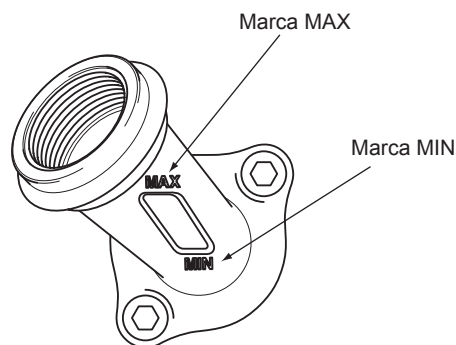
NOTA:

- Si el motor no se almacena en posición vertical, el aceite circulará a través del motor, y al momento de reabastecer el aceite habrá una cantidad excesiva en el cortador.
- Si la cantidad de aceite excede la marca MAX, puede que se fugue causando suciedad o humo blanco.

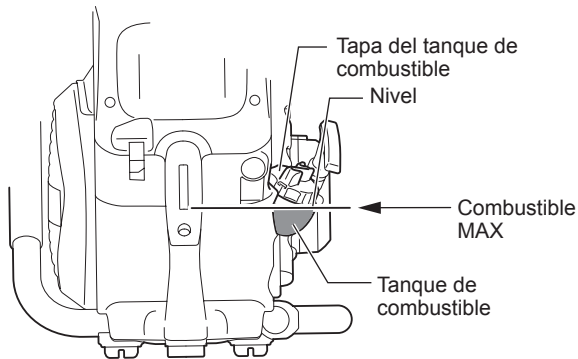
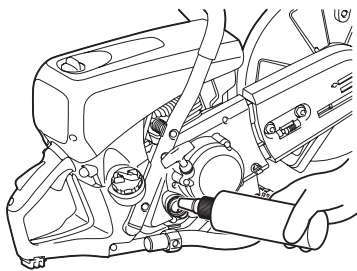
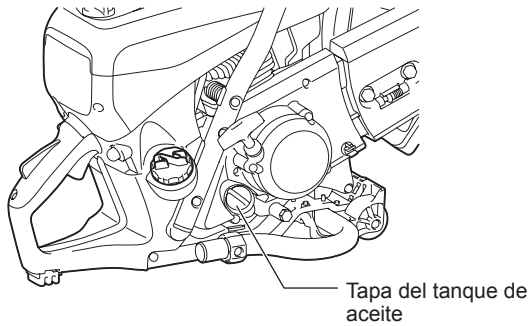
Cambio de aceite Punto 1 <tapa del aceite>

Intervalo de cambio: inicialmente, tras 20 horas de operación y subsecuentemente cada 30 horas de operación.

- Limpie para eliminar la tierra o suciedad acumulada alrededor del cuello del tanque del aceite y luego quite la tapa del aceite.
- Coloque la tapa del aceite sobre una superficie donde no se ensuciará con arenilla o polvo. Si la tapa se coloca estando sucia, la circulación de aceite podrá deteriorarse y las piezas del motor se desgastarán, lo cual puede resultar en fallas mecánicas.



El aceite es visible desde aquí, por lo que las marcas MAX y MIN pueden usarse para comprobar la cantidad del aceite.



- (1) Coloque el motor sobre el plano nivelado y quite la tapa.
- (2) Reabastezca el aceite por la base del cuello de suministro. Al reabastecer aceite, use un contenedor apropiado para lubricante para el reabastecimiento.
- (3) Coloque y apriete la tapa del aceite con firmeza. Si la tapa del aceite queda suelta, puede que haya una fuga de aceite.

Cambio de aceite Punto 2 <Qué hacer si se derrama aceite>
 Si se derrama aceite entre el tanque de combustible y el motor, y se usa el cortador, el aceite será succionado a través del ingreso de aire frío, lo cual puede que cause suciedad. Limpie siempre al haber un derrame de aceite antes de usar el cortador.

2. Reabastecimiento de combustible

⚠ ADVERTENCIA:

- **Observe siempre las siguientes indicaciones al reabastecer el combustible. Hacer caso omiso de estas indicaciones podría provocar fuego o incendio.**
 - Reabastezca el combustible alejado del fuego. Además, nunca fume ni acerque alguna forma de llama cerca del combustible o del cortador durante el reabastecimiento de combustible.
 - Apague el motor y deje que se enfríe antes de reabastecer el combustible.
 - Abra siempre la tapa del tanque de combustible lentamente para liberar la presión interna de una forma controlada. No hacerlo así puede que ocasione un escape de combustible rociado debido a la presión interna.
 - Tenga cuidado de no derramar combustible. Si el combustible se derrama, limpie para eliminar el derrame.
 - Reabastezca el combustible en un lugar con ventilación adecuada.
- **Maneje siempre el combustible con total cuidado.**
 - Si el combustible entra en contacto con la piel y/o los ojos, puede que cause una reacción alérgico y/o inflamación. En casos de reacciones alérgicas y/o inflamación, etc., acuda a consulta médica con un médico especialista de inmediato.

<Periodo de almacenamiento de combustible>

Como regla, el combustible que se encuentra en un contenedor apropiado, en un lugar a la sombra con ventilación adecuada, deberá ser utilizado dentro de un lapso de cuatro semanas. Si no se usa un contenedor apropiado para combustible y/o no se coloca la tapa, etc., y es época de verano, puede que el combustible se deteriore en un día.

Almacenamiento del cortador y contenedor de combustible

- Almacene el cortador y contenedor de combustible alejados de la luz directa del sol en un lugar fresco.
- No deje el cortador abastecido con combustible, así como tampoco un contenedor con combustible en un automóvil ni en el maletero o cajuela del mismo.

<Combustible>

El motor es uno de cuatro tiempos, por lo que el motor requiere de gasolina para automóvil (gasolina común) para funcionar.

Puntos de combustible

- Evite el uso de una mezcla de combustible (aceite para motor mezclado con gasolina). Hacerlo puede que cause acumulación de carbón, resultando en fallas mecánicas.
- El uso de combustible viejo puede que cause un arranque deficiente del motor.

<Reabastecimiento de combustible>

Apague siempre el motor y deje que se enfríe antes de reabastecer el combustible.

<Gasolina utilizable> Gasolina para automóvil

- Afloje ligeramente la tapa del tanque de combustible para liberar la presión y así ecualizar la presión de aire interna con la externa.
- Quite la tapa del tanque de combustible y reabastezca el combustible (evite llenar hasta el tope del cuello de suministro del tanque).
- Tras reabastecer el combustible, coloque y apriete con firmeza la tapa del tanque.
- La tapa del tanque de combustible es un producto de consumo. Por lo tanto, si muestra señales de desgaste o anomalías, reemplácelo (como una guía aproximada, el cambio debe hacerse cada dos o tres años).

Operación

Arranque

⚠ ADVERTENCIA:

No arranque el motor en lugares donde se esté realizando un reabastecimiento de combustible. Desplácese por lo menos tres metros del lugar donde se reabasteció el cortador de combustible.

- Hacer caso omiso de estas indicaciones podría provocar fuego o incendio.


⚠ PRECAUCIÓN:

Antes de arrancar el motor, asegúrese de comprobar que el disco cortador no esté haciendo contacto con el suelo ni que ningún otro objeto obstaculice el disco cortador.

- Puede que se genere un accidente si el disco cortador está haciendo contacto con el suelo o algún objeto lo está obstaculizando.

Tan pronto el motor arranque, el disco cortador girará, por lo que debe estar completamente atento de las personas y obstáculos alrededor.


1. Arranque en frío

- (1) Presione la bomba cebadora repetidamente hasta que ingrese combustible a ella.
- (2) Mueva la posición del interruptor a la dirección  (dosificador).
- (3) Mantenga sujetado el mango trasero con un pie y firmemente sujete el mango tubular con una mano.
- (4) Vigorosamente jale la empuñadura de arranque repetidamente hasta que se escuche el primer sonido de arranque.

Calentamiento

- Una vez que arranque el motor, mantenga sujeta la palanca de seguridad, mientras presiona y libera la palanca aceleradora repetidamente durante uno o dos minutos para calentar el motor.
- El calentamiento se habrá completado una vez se establezca la velocidad del motor y la aceleración de las revoluciones sea suave de una velocidad baja a una alta.


2. Arranque en caliente (motor ya calentado)


Presione la bomba cebadora varias veces. De un principio, coloque el interruptor en la posición  (operación), y arranque el motor realizando el paso (3) del procedimiento 1 descrito anteriormente.

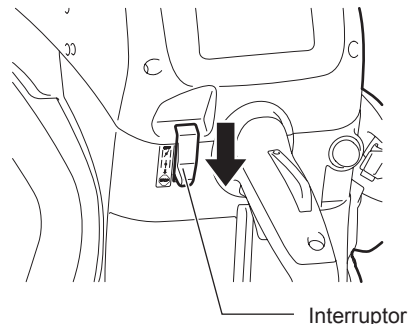
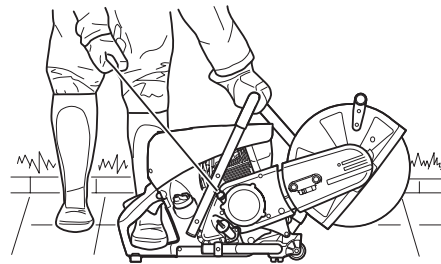
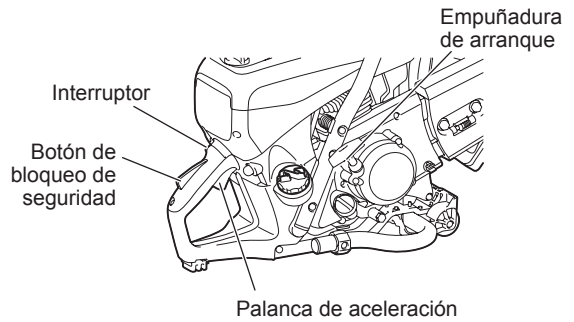
NOTA:

- Jalar y liberar repetidamente la empuñadura de arranque con el interruptor en la posición del dosificador rebosará el motor con combustible, dificultando así su arranque.
- Cuando el motor se detenga, nunca apriete la palanca de aceleración. Apretarla innecesariamente con el motor detenido rebosará el motor con combustible, dificultando así su arranque.
- Si el motor se rebosa con combustible, quite la bujía de encendido y lentamente jale la empuñadura de arranque varias veces para eliminar el exceso de combustible. También, seque la sección del electrodo de la bujía de encendido.
- No jale la empuñadura de arranque hasta el límite del cordón, pues esto acortará el tiempo de vida útil del cordón. Más importante aún, la empuñadura de arranque debe retornarse con cuidado, evitando soltarla abruptamente.
- Evite dejar el cortador corriendo a velocidad máxima en estado de marcha sin carga, pues hacerlo reducirá el tiempo de vida útil del motor.

3. Detención

Para detener el motor, suelte el acelerador y ajuste el interruptor a la posición  (Detener).

Si la palanca de aceleración se desplaza incorrectamente a la posición  para parar la herramienta, use la mitad de aceleración para reiniciar.

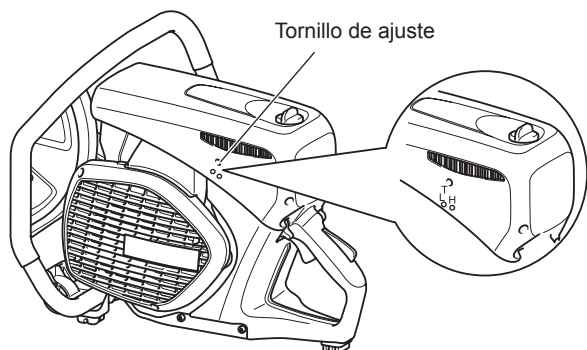
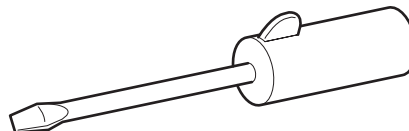


Ajuste del carburador



NOTA: Este motor está equipado con un sistema de encendido electrónico para limitar la velocidad. El carburador también cuenta con un chorro fijo de combustible el cual no puede ser ajustado. La velocidad de marcha sin carga ha sido ajustada de fábrica a 2 600 rpm aproximadamente, pero el proceso de poner en operación de un motor nuevo puede que requiera un leve reajuste de la velocidad de marcha sin carga.

Ajuste la velocidad de marcha sin carga con un destornillador (ancho de punta plana: 4 mm). Un destornillador con orejeta amoldada, que se incluye como un accesorio opcional, es útil para este ajuste.



4. Ajuste de la marcha sin carga

PRECAUCIÓN: ¡El ajuste del carburador solo podrá hacerse por un centro de servicio MAKITA especializado!

¡No lleve a cabo ajustes sin un tacómetro que involucre ajustar los tornillos de ajuste (H) y (L)! ¡El ajuste incorrecto puede resultar en daños al motor!

Se requiere de usar un tacómetro para realizar ajustes con los tornillos de ajuste (H) y (L), ya que si el motor se ejecuta por encima de su velocidad máxima clasificada, éste podrá sobrecalentarse y agotar el lubricante. ¡Esto puede dañar el motor!

Ajustar sólo el tornillo de ajuste (T) es algo que puede ser manipulado por el usuario. Si el disco cortador se mueve durante la marcha pasiva (p.ej. sin que la palanca de aceleración se presione), ¡es imperativo que corrija la velocidad de marcha sin carga!

El ajuste de la velocidad en marcha pasiva deberá llevarse a cabo solamente cuando el motor se haya calentado y con un filtro de aire limpio.

Use un destornillador (punta plana de 4 mm) para los ajustes de la marcha sin carga.

MANTENIMIENTO

PRECAUCIÓN:

- **Antes de dar cualquier servicio al cortador detenga el motor y deje que enfíe, quite el disco cortador, quite la tapa de la bujía de encendido y use guantes protectores!** Llevar a cabo servicio de mantenimiento inmediatamente tras detener el motor o con la tapa de la bujía sobre la bujía de encendido puede que cause quemaduras por el motor caliente o lesiones por un encendido accidental.
- **Encienda el cortador sólo tras haber completado su ensamble e inspección.**
- Nunca use gasolina, bencina, diluyentes (tíner), alcohol o alguna sustancia similar. El uso de estas sustancias podría generar decoloraciones, deformaciones o grietas.

NOTA:

- Limpie para eliminar el polvo del cortador y luego seleccione un lugar de trabajo limpio para llevar a cabo el servicio de mantenimiento.





SERVICIO

IMPORTANTE:

Debido a que muchas de las piezas y ensambles que no se mencionan en este manual de instrucciones son vitales para la seguridad en el uso del equipo, y debido a que todas las piezas están sujetas a cierto tiempo de vida útil y desgaste, es importante por su propia seguridad que lleve el equipo para que sea revisado y se le dé servicio de mantenimiento de forma habitual por un centro de servicio MAKITA.

IMPORTANTE:

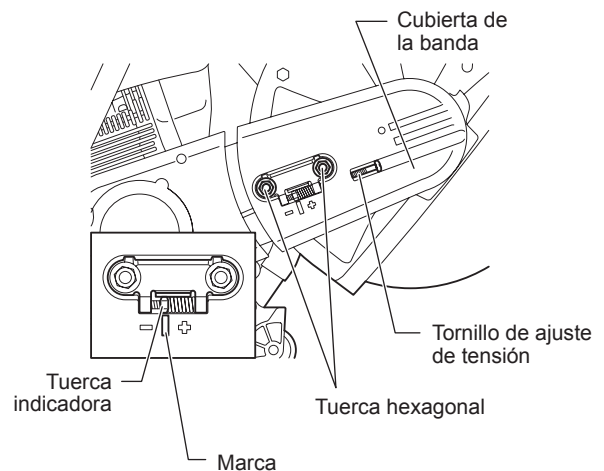


Si el disco cortador se rompe durante una operación de corte, ¡el cortador debe llevarse a reparación por un centro de servicio MAKITA antes de que pueda volver a utilizarse!

Banda trapezoidal

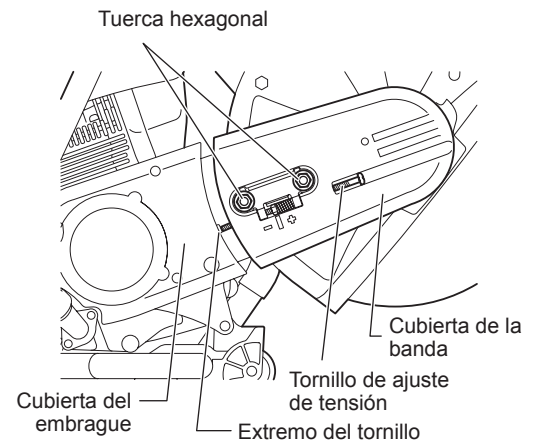
1. Ajuste de la tensión de la banda trapezoidal

- Si el disco cortador se detiene con facilidad a mitad de una operación de corte, la banda trapezoidal se ha aflojado. En este caso, ajuste la tensión mediante el siguiente procedimiento.
 - (1) Afloje las tuercas de fijación de la cubierta de la banda.
 - (2) Gire el tornillo de ajuste de tensión hacia la derecha (en sentido de las agujas del reloj) hasta que la tuerca indicadora alcance la posición marcada para incrementar la tensión de la banda trapezoidal.
 - (3) Una vez que haya completado el ajuste de la tensión de la banda trapezoidal, vuelva a apretar con firmeza las tuercas de fijación de la cubierta de la banda.
- Si el disco cortador se detiene con facilidad incluso tras haber ajustado la tensión de la banda trapezoidal, o si ésta se rompe, se debe reemplazar la banda trapezoidal con una nueva.



2. Cambio de la banda trapezoidal

- (1) Afloje la tuerca de fijación, gire el tornillo de ajuste de tensión hacia la izquierda hasta que el extremo del tornillo sea visible.
- (2) Quite las tuercas de fijación y luego quite la cubierta de la banda.
- (3) Luego, quite los tres tornillos de instalación y retire la cubierta del embrague.
- (4) Quite la banda trapezoidal vieja y ajuste una nueva en su lugar. Ahora, reinstale la cubierta del embrague siguiendo con la cubierta de la banda.
- (5) Ajuste la tensión como se muestra en la sección de ajuste de la tensión de la banda trapezoidal.



Limpeza del capó protector

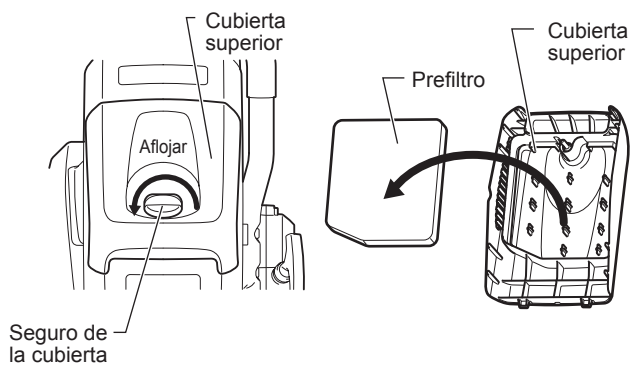
Con el transcurso del tiempo, el interior del capó protector puede apelmazarse con material de residuo (especialmente con los cortes con agua), lo cual si se deja acumular puede afectar el giro libre del disco cortador. Por esta razón, el capó debe limpiarse periódicamente.

Quite el disco cortador y elimine el material de residuo acumulado del interior del capó con un palo de madera u objeto similar.

Limpe el eje y todas las piezas desensambladas con un paño.

NOTA: Para instalar el disco cortador, refiérase a “Instalación del disco cortador”.

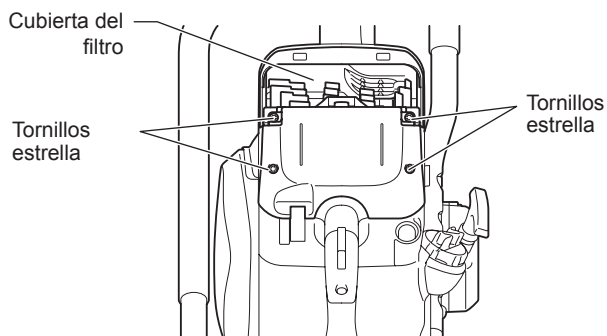
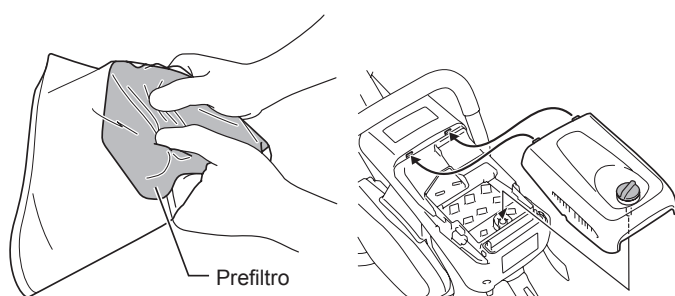




Limpieza / cambio del filtro de aire

Si el filtro de aire se congestiona, puede que cause un rendimiento deficiente del motor. Por lo tanto, cada vez después de haber usado el cortador, asegúrese de limpiar el filtro de aire de la siguiente manera.

- Gire el seguro de la cubierta a la izquierda para quitarla.
- Quite la cubierta superior después de aplicar aire soplado para eliminar el polvo de ésta.
- A continuación, quite el prefiltro.
- Lave el prefiltro en agua con detergente diluido y seque completamente. No apretuje ni talle el prefiltro al estarlo lavando.
- Aplique 40 ml de aceite para motor a 2 tiempos / 4 tiempos en el prefiltro, sujételo suavemente para que el aceite para motor se disperse uniformemente.
- Ajuste el prefiltro en la cubierta superior con firmeza.
- Alineando el diente de la cubierta superior con la contraparte de la carcasa, apriete el seguro de la cubierta.

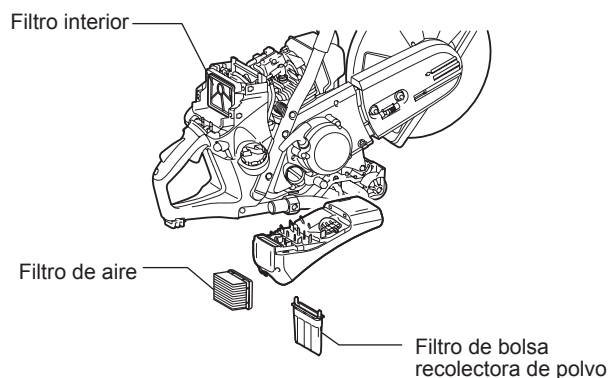


Además de la limpieza descrita anteriormente, proceda con los siguientes pasos al transcurrir el intervalo que se lista en la "Tabla de mantenimiento".

- Quite los cuatro tornillos estrella.
- Quite la cubierta del filtro.
- Quite el filtro de aire.
- Quite el filtro de la bolsa recolectora de polvo de la cubierta del filtro y levemente golpetee y sople para limpiarlo.
- Golpetee ligeramente y aplique aire soplado en el filtro interior para eliminar el polvo y la tierra. Además, lave periódicamente el filtro interior con agua enjabonada y seque completamente.
- Golpetee ligeramente el filtro de aire para limpiarlo. Si se usa un compresor de aire, sople aire comprimido en el interior del filtro de aire. No lave el filtro de aire.
- Aplique aire soplado para eliminar el polvo alrededor de los filtros.
- Vuelva a ensamblar el filtro de aire a la cubierta del filtro una vez que haya terminado con su limpieza. Ajuste el filtro de aire en la cubierta del filtro primero al ajustar la cubierta del filtro.
- Apriete el seguro de la cubierta con firmeza.

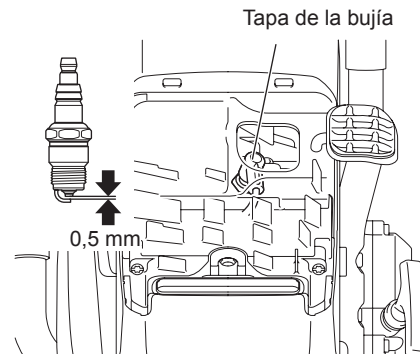
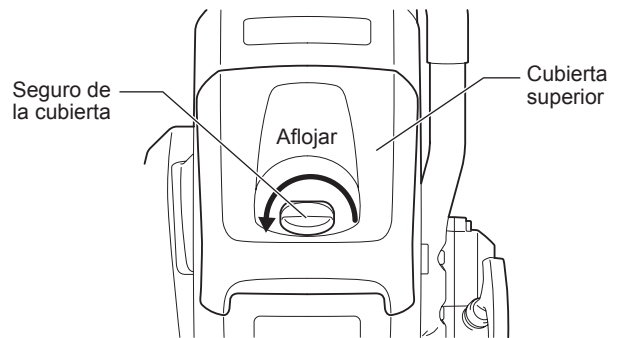
Aviso:

- No lave el filtro de aire con agua.
- Reemplace los filtros desgastados o dañados con unos nuevos.
- No lave los filtros con gasolina, benzina, diluyente (tíner), alcohol ni sustancias similares.



Mantenimiento de la bujía de encendido

- (1) Afloje el seguro de la cubierta y quite la cubierta superior.
- (2) Abra la cubierta de la bujía, quite la tapa y retire la bujía de encendido.
- (3) Compruebe si la separación del electrodo es de 0,5 mm. Si la separación es muy amplia o muy estrecha, ajústela para que sea de 0,5 mm.
- (4) Si se ha acumulado carbón y/o tierra en la bujía de encendido, límpiela y luego reinstálela. Una bujía de encendido excesivamente desgastada o quemada deberá ser reemplazada con una nueva.
- (5) Después de haber llevado a cabo el servicio de mantenimiento de la bujía de encendido, reinstálela, coloque la tapa de la bujía y fije la cubierta de la bujía.



Reemplazo de la cabeza de succión

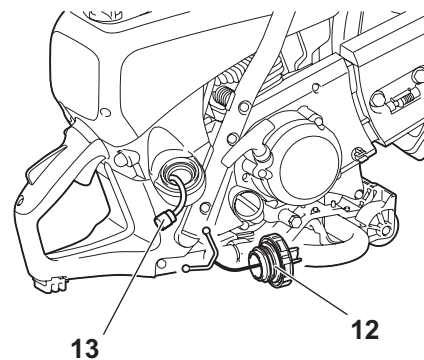
La succión de la cabeza del filtro del tanque de combustible (13) puede congestionarse. Se recomienda que reemplace la cabeza de succión cada tres meses para garantizar un flujo de combustible al carburador sin obstrucciones.

Desenrosque la tapa del tanque de combustible (12) y saque el tope de prevención de pérdidas.

Vacíe el tanque de combustible

Para quitar la cabeza de succión para reemplazarla, sáquela a través del cuello del tanque de combustible usando un alambre con un extremo doblado para formar un gancho.

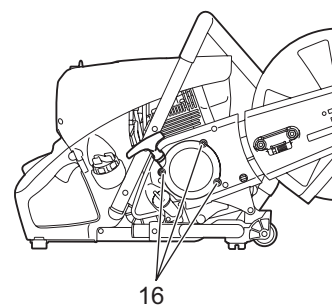
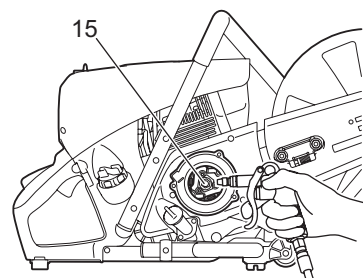
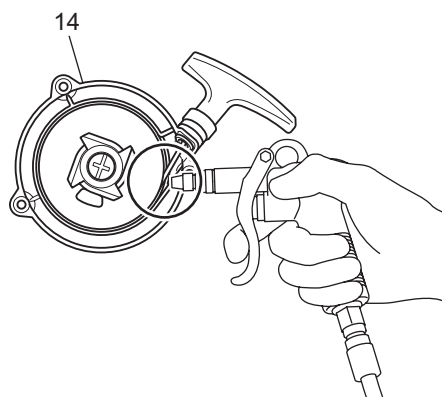
⚠ PRECAUCIÓN: ¡No permita que el combustible entre en contacto con la piel!



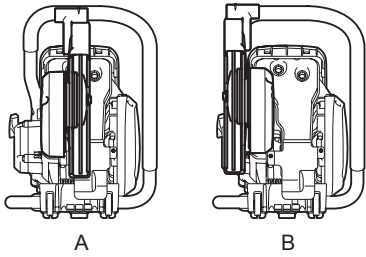
Limpieza del arrancador

Cuando el arrancador no funciona bien, por ejemplo, que la cuerda de arrancador no regrese a la posición inicial, será necesario soplar aire para eliminar el polvo del arrancador (14) y del embrague (15).

Para limpiar el arrancador y el embrague, quite los tres tornillos (16) para tener acceso.



Dirección de instalación



Cambio de la posición del aditamento de corte (posición al centro / lateral)

Instalación de la dirección del capó

- El aditamento cortador del equipo está instalado en la dirección que se ilustra en la Fig. A. Si se desea, emplee el siguiente procedimiento para instalar el aditamento en la dirección que se ilustra en la Fig. B.

Instalación en la dirección B

- (1) Afloje la tuerca de fijación, gire el tornillo de ajuste de tensión hacia la izquierda hasta que el extremo del tornillo sea visible. (Fig. 1)
- (2) Quite las tuercas de fijación y quite la cubierta de la banda. (Fig. 1)
- (3) Gire el capó hacia la posición de la línea punteada. Quite la banda trapezoidal y luego quite el aditamento de corte del cortador. Vuelva a colocar la empuñadura. (Fig. 2)
- (4) Levante el eje del seguro con un destornillador acanalado o con unas pinzas. (Fig. 3)
- (5) Gire el brazo hasta que haga contacto con la empuñadura y manualmente regrese el bloqueo del eje a la posición original. (Fig. 4)
Recolocación de la empuñadura. (Fig. 5)
- (6) Voltee el aditamento extraído, pase el perno a través del orificio y reinstálelo en la dirección B.
Reinstale la banda trapezoidal a la polea. (Fig. 6)
- (7) Instale la cubierta de la banda. (Fig. 7)
Gire el tornillo de ajuste de tensión para ajustar la tensión de la banda trapezoidal. Una vez que el ajuste de la tensión se haya completado, apriete con firmeza la tuerca de fijación.

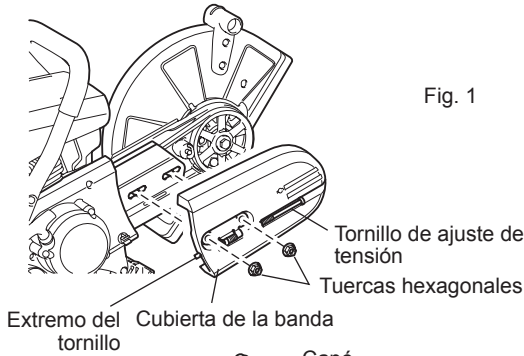


Fig. 1

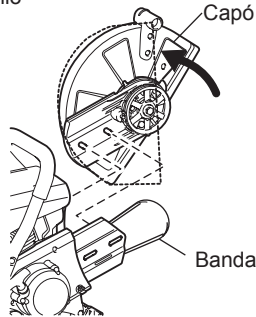


Fig. 2

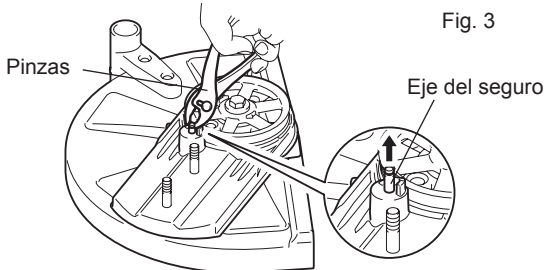


Fig. 3

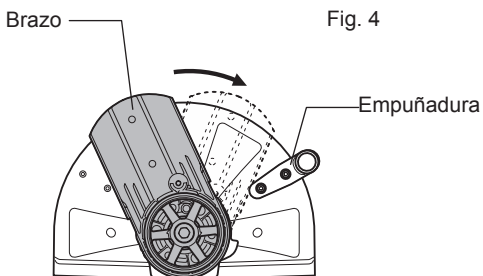


Fig. 4

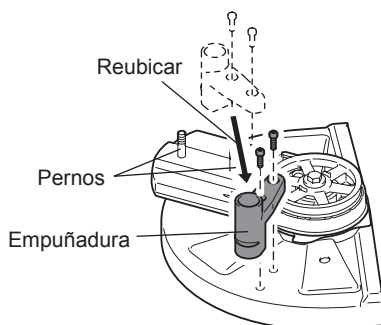


Fig. 5

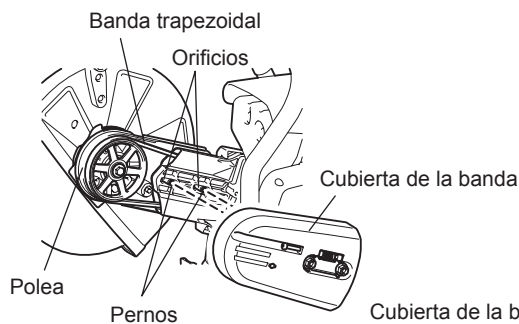


Fig. 6

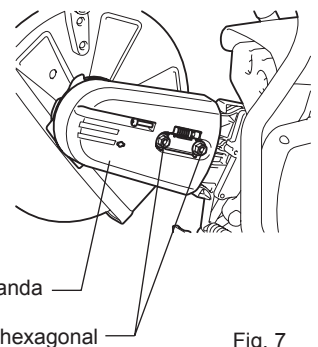


Fig. 7

ACCESORIOS ESPECIALES

Discos cortadores de diamante

Los discos cortadores de diamante MAKITA cumplen con las más elevadas exigencias respecto a la seguridad ocupacional, facilidad de operación y economía en el rendimiento de cortes. Se pueden usar para cortar todo tipo de material **excepto metal**.

El alto nivel de durabilidad de éstos garantiza un bajo nivel de desgaste y por lo mismo un tiempo de vida útil muy extenso casi sin cambios en su diámetro durante todo periodo de uso. Esto brinda un rendimiento de corte consistente y un nivel económico elevado. La características sobresalientes de corte de los discos permite una operación de corte más sencilla.

Las láminas metálicas del disco ofrecen una ejecución altamente concéntrica para una vibración mínima durante su uso. El uso de discos cortadores de diamante reduce considerablemente el tiempo de las operaciones de corte.

Esto a su vez resulta en una reducción en los costos de operación (consumo de combustible, desgaste de las piezas, reparaciones, y en última instancia, pero no menos importante, menos daños al medio ambiente).

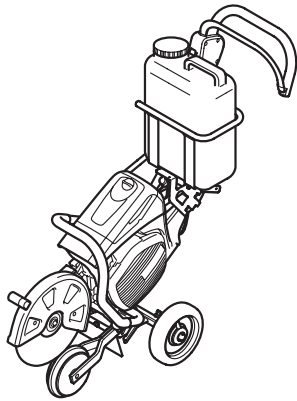
Carretón guía

El carretón guía de MAKITA facilita en gran medida la realización de cortes rectos, mientras que simultáneamente permite la operación sin fatiga. Puede ajustarse de acuerdo a la altura del usuario, y puede usarse junto con el aditamento cortador colocado en posición lateral o al centro.

Se puede agregar un limitador de la profundidad para facilitar aún más la realización de cortes precisos. Esto permite mantener una profundidad predeterminada y precisa de corte.

Para mantener un bajo nivel de polvo y para un mejor enfriamiento del disco cortador, MAKITA ofrece varias opciones para mojar los discos durante la operación.

- Juego de carretón
Esto es útil para hacer cortes en la superficie de calles y carreteras.
- Juego de filtro
Prefiltro (5 filtros)
Filtro de aire (1 filtro)
Filtro de bolsa recolectora de polvo (1 filtro)



Tanque de agua (componente del carretón)

El tanque de agua está diseñado para instalarse al carretón guía. Su gran capacidad lo hace especialmente apto para situaciones que involucren cambiar de sitio con frecuencia. Para llenarlo o para cambiar rápidamente entre tanques de reserva, el tanque puede levantarse simplemente del carretón.

El tanque de agua viene con todas las conexiones y mangueras necesarias. La instalación al carretón y al cortador es rápida y sencilla.

Sistema de agua por tubería / a presión

El sistema de agua por tubería / a presión está diseñado para instalarse en el cortador. Puede usarse con o sin el carretón, pero es especialmente apto para aplicaciones que involucren el corte manual estacionario. El conducto de agua cuenta con una conexión de liberación rápida, y el agua puede ser suministrada desde la red de tubería del agua o desde un tanque de agua a presión (7).

El sistema de agua viene con todos los conductos y conexiones necesarios. Puede instalarse rápida y fácilmente en el cortador.

Tabla de mantenimiento

Elemento	Tiempo de operación	Antes de la operación	Tras el reabastecimiento de combustible	Diario (10h)	20h	30h	50h	200h	Antes del almacenamiento	Acción correspondiente (P)
Aceite para motor	Inspeccionar / limpiar	○								66
	Reemplazar					○*1				
Piezas de fijación (perno, tuerca)	Inspeccionar	○								—
Tanque de combustible	Limpiar / inspeccionar	○								—
	Drenar combustible								○*3	61
Banda trapezoidal	Inspeccionar / ajustar	○								70
Palanca de aceleración	Verificar funcionamiento		○							—
Interruptor	Verificar funcionamiento		○							68
Disco cortador	Inspeccionar	○		○						58
Velocidad en marcha pasiva	Inspeccionar / ajustar			○						69
Filtro de aire	Limpiar						○			71
Filtro de bolsa recolectora de polvo	Limpiar / reemplazar				○					71
Prefiltro	Limpiar / reemplazar			○						71
Bujía de encendido	Inspeccionar			○						72
Conducto de aire para el enfriamiento y rendijas del cilindro	Limpiar / inspeccionar			○						—
Manguera del combustible	Inspeccionar			○						—
	Reemplazar							◎*2		—
Filtro de combustible	Limpiar / reemplazar						○			72
Despeje de la válvula (válvula de ingreso y válvula de escape)	Inspeccionar / ajustar							◎*2		—
Carburador	Drenar combustible								○*3	61

*1 Realice un reemplazo inicial tras 20 horas de operación.

*2 Para la inspección tras 200 horas de operación, acuda a un Agente de Servicio Autorizado o taller de servicios de mantenimiento.

*3 Tras vaciar el tanque de combustible, continúe dejando el motor corriendo y drene el combustible del carburador.

Determinación de fallas

Falla	Sistema	Observación	Causa
Disco cortador no empieza a girar	Embrague	El motor se ejecuta	Daños al embrague
El motor no arranca o arranca con dificultad	Sistema de encendido	Sí hay chispa de encendido	Falla en el suministro de combustible o sistema de compresión; problema mecánico
		No hay chispa de encendido	Operación del interruptor; falla en el cableado o corto circuito; defecto en la bujía de encendido o su enchufe; problema en el módulo de encendido
	Suministro de combustible	Tanque de combustible lleno	Posición incorrecta del dosificador; carburador defectuoso; línea de suministro de combustible doblada o bloqueada; combustible impuro
	Sistema de compresión	No hay compresión al dar el jalón	Defecto en el empaque de la cabeza del cilindro; daños en el sellado del cigüeñal; cilindro o anillos de pistones defectuosos o sellado inadecuado de la bujía de encendido
	Falla mecánica	Arrancador no acciona	Resorte del arrancador roto; piezas rotas dentro del motor
	Embrague	La contaminación se adhiere al embrague y las piezas de alrededor	Resorte del trinquete contaminado y abierto; límpielo
Problemas al arrancar el motor ya calentado	Carburador	Existencia de chispa de encendido; tanque lleno	Carburador contaminado, límpielo
El motor arranca pero se apaga de inmediato	Suministro de combustible	Tanque lleno	Ajuste incorrecto de operación pasiva, cabeza de succión o carburador contaminados Respiradero del tanque defectuoso; obstrucción de la línea de suministro de combustible; falla en el cable interruptor de encendido
Rendimiento deficiente	Puede que varios sistemas del equipo se vean afectados a la vez	Ineficiencia de estado de marcha sin carga del motor	Filtro de aire contaminado; carburador contaminado; congestión del mofle; congestión del conducto de escape en el cilindro

Resolución de problemas

Antes de solicitar un servicio de reparación, revise primero usted el problema. Si se encuentra cualquier anomalía, controle el equipo según la descripción de este manual que se indica. Nunca altere o desarme ninguna pieza que no se indique en la descripción. Para servicios de reparación, póngase en contacto con un Agente de Servicio Autorizado o con su distribuidor local.

Estado de anomalía	Causa probable (falla)	Solución
El motor no arranca	Falla en la operación de la bomba cebadora	Bombée de 7 a 10 veces
	Poca fuerza al jalar el cordón del arrancador	Jale con fuerza
	Falta de combustible	Suministre combustible
	Filtro de combustible congestionado	Limpie
	Manguera de combustible doblada	Enderece la manguera de combustible
	Combustible deteriorado	El combustible deteriorado dificulta que el equipo arranque. Reemplace con nuevo aceite. (Recomendación de reemplazo: una vez al mes)
	Succión excesiva de combustible	Ajuste la palanca aceleradora de velocidad media a velocidad alta y jale el mango del arrancador hasta que el motor se encienda. Una vez que el motor arranque, el disco cortador comienza a girar. Este completamente atento del disco cortador. Si el motor sigue sin arrancar, retire la bujía de encendido, seque los electrodos y reensamble. Luego arranque el equipo como se indica.
	Tapa de la bujía suelta	Fije con firmeza
	Bujía de encendido contaminada	Limpie
	Irregularidad del área de despeje de la bujía de encendido	Ajuste el área de despeje
	Otra anomalía con la bujía de encendido	Reemplace
	Anomalía con el carburador	Solicite un servicio de inspección y mantenimiento.
	La cuerda del arrancador no puede jalarsé	Solicite un servicio de inspección y mantenimiento.
El motor se apaga en poco tiempo La velocidad del motor no aumenta	Irregularidad con el sistema de propulsión	Solicite un servicio de inspección y mantenimiento.
	Embrague y piezas de alrededor contaminadas	Limpie
	Falta de calentamiento del motor	Realice la operación de calentamiento
	Palanca del dosificador está en la posición "H" aunque el motor ya está caliente.	Ajuste a "ON III"
	Filtro de combustible congestionado	Limpie
	Filtro de aire contaminado o congestionado	Limpie
	Anomalía con el carburador	Solicite un servicio de inspección y mantenimiento.
El disco cortador no gira	Irregularidad con el sistema de propulsión	Solicite un servicio de inspección y mantenimiento.
	Disco cortador, perno de fijación suelto	Apriete con firmeza
La unidad principal vibra de forma anormal	Rotura, doblez o desgaste del disco cortador	Reemplace disco cortador
	Disco cortador, perno de fijación suelto	Apriete con firmeza
	Irregularidad con el sistema de propulsión	Solicite un servicio de inspección y mantenimiento.
El disco cortador no se detiene inmediatamente	Rotación a alta velocidad en marcha sin carga	Ajuste
	Vinculación desconectada de aceleración	Solicite un servicio de inspección y mantenimiento.
	Irregularidad con el sistema de propulsión	Solicite un servicio de inspección y mantenimiento.
El motor no se apaga	Conector suelto	Fije con firmeza
	Irregularidad con el sistema eléctrico	Solicite un servicio de inspección y mantenimiento.

Cuando el equipo no arranca tras la operación de calentamiento:

Si no se detecta alguna anomalía en las piezas revisadas, abra el acelerador alrededor de 1/3 y arranque el motor.

Almacenamiento

ADVERTENCIA:

Al drenar el combustible, interrumpa siempre el motor, déjelo enfriar y luego proceda con el drenado.

- Drenar el combustible inmediatamente tras detener el motor puede genera llamas o incendio, lo cual podría resultar en lesiones por quemaduras.

PRECAUCIÓN:

Si el cortador no se utilizará por un periodo prolongado, drene el combustible y almacene el cortador en un lugar seco y limpio.

- Siga los siguientes pasos para drenar el combustible del tanque de combustible y del carburador.
 - (1) Quite la tapa del tanque de combustible y extraiga el combustible hasta vaciar el tanque.
En este momento, compruebe si hay algún material ajeno en el tanque de combustible. De haberlo, extráigalo.
 - (2) Con un trozo de alambre o similar, saque el filtro de combustible a través del cuello del tanque.
 - (3) Presione la bomba cebadora hasta hacer que todo el combustible desemboque en el tanque de combustible, y luego asegúrese de vaciar el tanque.
 - (4) Regrese el filtro de combustible a su posición en el tanque de combustible, y luego vuelva a colocar con firmeza la tapa del tanque.
 - (5) Finalmente, corra el motor hasta que éste se detenga.
 - (6) Quite la bujía de encendido y drene las pocas gotas de aceite para motor del orificio en donde se conecta.
 - (7) Jale lentamente la empuñadura de arranque para hacer que el aceite circule a través del motor, y luego vuelva a instalar la bujía de encendido.
 - (8) Coloque el aceite drenado en un contenedor apropiado de combustible, y almacene en un lugar a la sombra con ventilación adecuada.

WARNING

The engine exhaust from this product contains chemicals known to the State of California to cause cancer, birth defects or other reproductive harm.

WARNING

Some dust created by power sanding, sawing, grinding, drilling, and other construction activities contains chemicals known to the State of California to cause cancer, birth defects or other reproductive harm. Some examples of these chemicals are:

- lead from lead-based paints,
- crystalline silica from bricks and cement and other masonry products, and
- arsenic and chromium from chemically-treated lumber.

Your risk from these exposures varies, depending on how often you do this type of work. To reduce your exposure to these chemicals: work in a well ventilated area, and work with approved safety equipment, such as those dust masks that are specially designed to filter out microscopic particles.

<USA solamente>

ADVERTENCIA

Los gases de escape del motor de este producto contienen sustancias químicas conocidas en el Estado de California como causantes de cáncer, defectos genéticos y otros problemas relacionados con la reproducción.

ADVERTENCIA

Algunos tipos de polvo creados por el lijado, serrado, amolado, taladrado, y otras actividades de la construcción contienen sustancias químicas reconocidas por el Estado de California como causantes de cáncer, defectos de nacimiento y otros peligros de reproducción. Algunos ejemplos de estos productos químicos son:

- plomo de pinturas a base de plomo,
- sílice cristalino de ladrillos y cemento y otros productos de albanilería, y
- arsénico y cromo de maderas tratadas químicamente.

El riesgo al que se expone variará, dependiendo de la frecuencia con la que realice este tipo de trabajo. Para reducir la exposición a estos productos químicos: trabaje en un área bien ventilada, y pongase el equipo de seguridad indicado, tal como esas mascarillas contra el polvo que están especialmente diseñadas para filtrar partículas microscópicas.

Makita Corporation

3-11-8, Sumiyoshi-cho,
Anjo, Aichi 446-8502 Japan

www.makita.com